




Features:

- ON Delay / Interval
- 8 Time Ranges
- Dual Supply Voltage
- LED Status Indicator: Power ON, Relay ON
- DIN Rail / Back Panel Mount
- Finger Safe Terminals

Size: DIN 22.5mm

Certifications:  

Technical Specifications

Input Specifications

Accuracy	Setting: $\pm 5\%$ of F.S. Repeat: $\pm 0.5\%$ or 50 msec (F.S. = Full Scale)
Reset	On interruption of power; Reset time < 100 msec

Output Specifications

Output Contact	SPDT (1 C/O)
Contact Rating	5A @ 230V AC / 24V DC, resistive

Functional Specifications

Modes	ON delay / Interval
Time Ranges	0 - 3 sec / min 0 - 10 sec / min 0 - 30 sec / min 0 - 60 sec / min

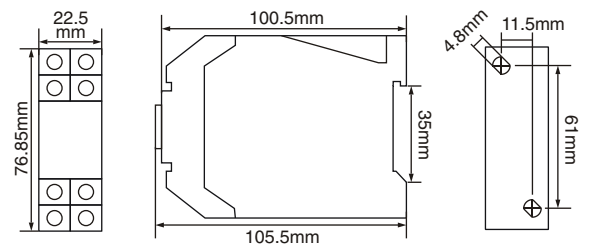
Supply Voltage

Supply Voltage	230V AC & 24V AC/DC (50 / 60Hz) 110V AC & 24V AC/DC (50 / 60Hz) -15% to 10% tolerance
Power Consumption	6VA max

Environmental Specifications

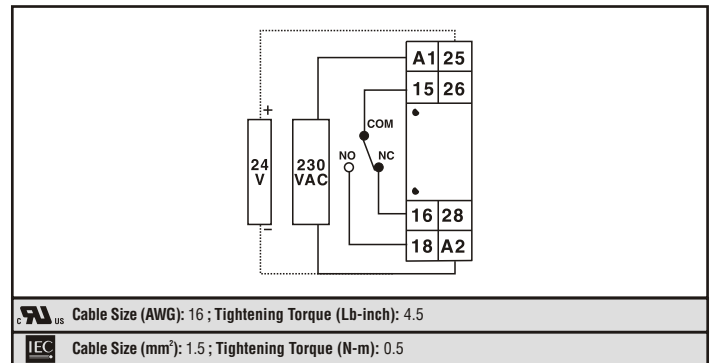
Temperature	Operating: 0 to 50°C (32 to 122°F) Storage: -20 to 75°C (-4 to 167°F)
Humidity (non-condensing)	95% RH
Weight	115 gms (0.220 lbs)
Protection Level	IP50 for faceplate IP40 for housing IP20 for terminals

Dimensions





Symmetrical 35mm Din Rail (EN50022) Mounting

Terminal Connections



Ordering Information

This product is available in certified (UL and CE) as well as in non-certified (without UL/CE marking) types. Please order as per the requirement.

Part No.	Supply Voltage		Certification
	230V AC	110V AC	
800SQ-A-230	■		 
800SQ-A-110		■	
800SQ-A-230-CU	■		■
800SQ-A-110-CU		■	■

Timing Diagram

