



Features:

- Compact design
- Casing : ABS plastic
- Din rail mounting

Certifications: **CE**

Specifications

Input / Output Specifications

Rated primary rating	30A to 300A
Rated secondary output	5A

Technical Specifications

Rated burden	1 to 5VA
Class of accuracy	1
Thermal short circuit current (I _{th})	60xI _n
Dynamic short circuit current (I _{dyn})	2.5xI _{th}
Instrument security factor	FS<5
Insulation class	E (120°C max)
System voltage	720V maximum
Test voltage	3kV 50 Hz 1 min
Operating frequency	50Hz or 60Hz

Environmental Specifications

Ambient temperature	20°C...+75°C
Humidity	< 95% RH (non condensing)
Storage temperature	-5°C...+45°C

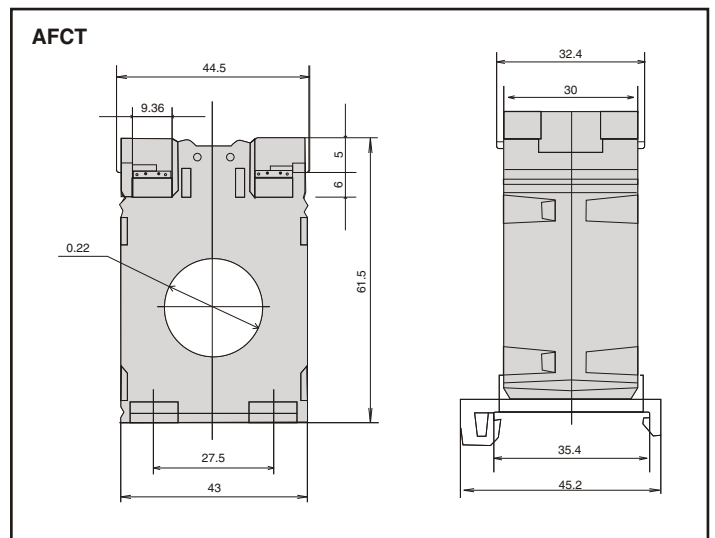
Compliance

Case	Made from ABS Plastic
Mounting modes	DIN rail
Connection	Two connection on each side. M4 screws with self lifting clamp strap for all type

Standard

Applicable standard	IEC/EN 60044 -1, BS 3938
---------------------	--------------------------

Dimension



Ordering Information

Part No.	Current Ratio	Burden In VA	Accuracy Class
AFCT-20-30/5-1-1	30/5	1	1
AFCT-20-50/5-1-1	50/5	1	1
AFCT-20-75/5-1.5-1	75/5	1.5	1
AFCT-20-100/5-2.5-1	100/5	2.5	1
AFCT-20-150/5-3-1	150/5	3	1
AFCT-20-200/5-5-1	200/5	5	1
AFCT-20-250/5-5-1	250/5	5	1
AFCT-20-300/5-5-1	300/5	5	1