

Dual Register Elite

“An innovation in the field of domestic and industrial metering backed over decade of experience in electronic metering. Elite Dual offers monitoring of consumption on both Mains and DG separately with high accuracy and precision. With a range of communication options, Elite Dual is professional’s choice for multi function metering.”

Elite Dual register is available with two separate registers of active and apparent forwarded energy for Mains DG Set. It is a unique combination of multifunction multi-rate meters with RS485 (MODBUS) communications, allowing remote interrogation of energy and instantaneous parameters with Load Control Features.



The Elite Dual offers:

- Separate registers of kWh and kVAh (forwarded) for Mains and DG.
- Power ON/OFF hours for Mains and DG supply.
- Technology for reliable and consistent accuracy to IS14697 and IEC60687, Cl 0.5s
- Pulse input(24V DC) is available for switching from Mains to DG.
- Load Control can be done using Pulse Output.
- Configuration of Load Control like Load Limit for Mains and DG and Averaging time can be configured through BCS.
- “FAVOURITES” page allows customization of the meter display sequence
- On board diagnostics for reporting connection faults
- RS485 (MODBUS) for network applications
- High contrast back lit LCD

Elite Dual offers following functions:

Energy -

kWh Fwd (Separately for Mains and DG)

kVAh Fwd (Separately for Mains and DG)

Power On/Off Hours (Separately for Mains and DG)

8 Rate Registers are available for Active energies (Separately for Mains and DG)

MD in kW and kVA for Mains and DG.

Load Survey of 60 Parameter days for supported energy parameters.

02 Billing Histories are supported.

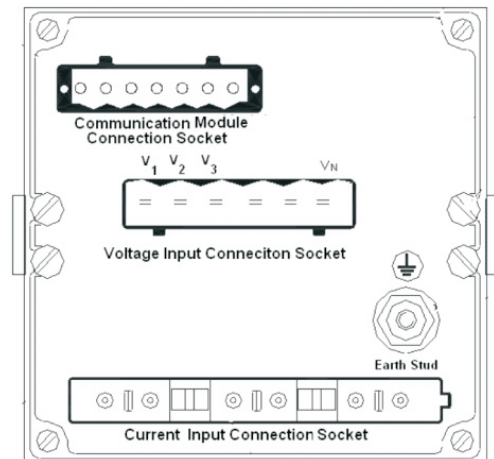
MODBUS on RS485 is supported for HEX and Floating Point Data format(according to IEEE-754)

Diagnostics

Meter set-up details

Dual Register Elite technical specification

ELECTRICAL	230V 3 Ph 4 Wire	FREQUENCY	50 Hz
STANDARDS	IS14697/IEC60687 Class 0.5s IS14697/IEC60687 Class 1.0	BURDENS (typical) Voltage Circuit (total) Current circuit	ALL MODEL TYPES 0.5W & 1VA 0.5VA
CURRENT Basic Maximum Starting (typical)	ALL MODEL TYPES 5 A or 1A (factory set) 120% of I basic 0.4% I basic	DATA RETENTION	10 years without power
DISPLAY	Customised LCD Display	PULSE OUTPUTS Voltage Rating Current Rating PULSE INPUTS Voltage Rating Current Rating	100 mA DC max 100 mA DC max 40V DC 100 mA DC max
MECHANICAL Dimensions (mm) Cut Out Size (mm) Enclosure Material Weight	ALL MODEL TYPES W.96 x H.96 x D.112 92x92 Extruded Aluminium 0.65 kg (approx.)	RS485/RS232 COMMUNICATION Type Baud Rate Connector Type Protection Isolation	Multi drop capability 1200, 2400, 4800, 9600, 19200 7 pin combicon connector Meter has short circuit protection with current limit to 100mA only 2 kV RMS between main Neutral and RS485
VOLTAGES (typical) Minimum (AC) Maximum (AC)	230V 161V 299V		



As a part of our continuous endeavour to improve product design, the specifications are subject to change



SECURE METERS LIMITED

P.O. Box No. 30, E-Class Pratap Nagar Industrial Area, Udaipur - 313003 INDIA
Tel: 91-294-2492300-04, Fax: 91-294-2492310 Email: mktg@securemeters.com, Web: www.securemeters.com

entity™
THE GLOBAL CONSORTIUM