

Mild Steel Multi-Mount

MAS

Wall mounting enclosures, single door

The Multi-Mount range of mild steel IP66 wall mounting enclosures has been designed with the user in mind. Practical, efficient and with a wide range of standard sizes and accessories available from stock, the Multi-Mount range offers a solution to virtually every application, or can be easily customised to suit specific requirements.



IP 66/NEMA 4, 12, 13 IK10



Technical data

Material: Body: 1.2mm mild steel / 1.4mm MAS0606021R5 and above / 1.5mm MAS1008026R5 and above, and 400mm depth enclosures. Gland plate: 1.4mm mild steel. Door: 1.2mm mild steel / 1.4mm MAS0606021R5 and above / 1.8mm MAS1006026R5 and above. Mounting plate: 2mm galvanised steel.

Body: Folded and seam welded. Four 8.5mm diameter holes for wall fixing, pressed out in 20.4mm diameter x 2mm depressions to allow air circulation around the rear part of the enclosure.

Door: Surface mounted with 130° opening. Concealed removable hinges with captive pin. Hinges can be mounted to allow left or right hand opening. From size MAS0604015R5 and above there are two removable mounting profiles in the door. Sealing is ensured by an extruded one piece polyurethane gasket.

Lock: Customised lock with double grip for easy opening of the door. DIN 3mm insert and 90° movement. 1000mm high enclosures and above have espagnolette three point locking.

Other inserts are available as an accessory.

Mounting plate: The mounting plate is marked vertically at 10mm intervals for easy horizontal positioning of equipment. On the top and bottom there are holes to facilitate cable fixing. Fixed onto M8 press welded studs to the rear of the enclosure. All sides from 800mm and above are strengthened by folded edges. By using the AMG accessory the mounting plate position can be adjusted to any depth.

Gland Plate Opening: Situated at the far rear of the enclosure to make cabling onto the mounting plate easier.

Protection: Complies with IP 66 and NEMA 4, 12 and 13. For outdoor installation the use of rain hood ARF is recommended.

Finish: RAL 7035 structure powder coating.

Delivery: Enclosure with door, and two door mounting profiles from size MAS0604015R5 and above. Gland plate(s) with gasket(s), plastic DIN 3mm key, and mounting accessories. Earthing facilities.

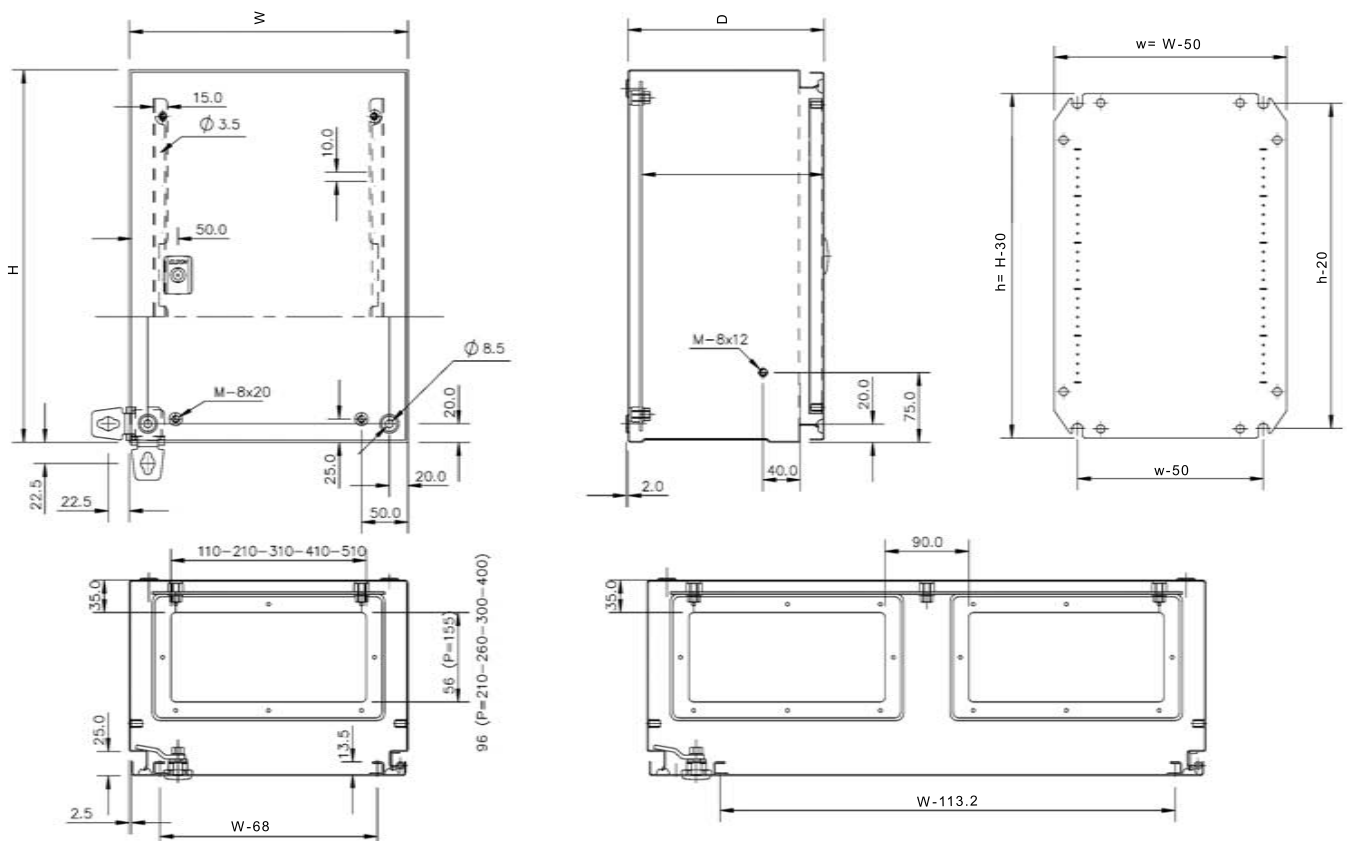


With mounting plate

Enclosure dimension			Mounting plate dimension				Size	Type	Openings	N° of locks	Weight	Part No.
H	W	D	h	w	d							
300	250	155	270	200	137	110x56	0S	1	1	4,6	MAS0302515R5	
300	300	210	270	250	192	210x96	1	1	1	5,5	MAS0303021R5	
400	300	155	370	250	137	210x56	1S	1	1	6,5	MAS0403015R5	
		210	370	250	192	210x96	1	1	1	7,0	MAS0403021R5	
400	210	370	350	192	310x96	2	1	1	8,6	MAS0404021R5		
		600	210	370	550	192	510x96	4	1	1	12,2	MAS0406021R5
		470	350	192	310x96	2	1	1	10,4	MAS0504021R5		
500	400	210	470	450	192	410x96	3	1	1	12,6	MAS0505021R5	
		300	470	450	282	410x96	3	1	1	14,5	MAS0505030R5	
600	400	155	570	350	137	310x56	2S	1	2	11,5	MAS0604015R5	
		210	570	350	192	310x96	2	1	2	12,2	MAS0604021R5	
		300	570	350	282	310x96	2	1	2	14,5	MAS0604030R5	
600	210	570	450	192	410x96	3	1	2	15,4	MAS0605021R5		
		300	570	550	282	510x96	4	1	2	24,0	MAS0606030R5	
800	300	570	750	282	310x96	2	2	2	31,0	MAS0608030R5		
700	500	260	670	450	242	410x96	3	1	2	23,2	MAS0705026R5	
800	600	260	770	550	242	510x96	4	1	2	29,8	MAS0806026R5	
		300	770	550	282	510x96	4	1	2	31,0	MAS0806030R5	
800	210	770	750	192	310x96	2	2	2	35,0	MAS0808021R5		
		300	770	750	282	310x96	2	2	2	39,0	MAS0808030R5	
1000	600	260	970	550	242	510x96	4	1	1*	38,0	MAS1006026R5	
		800	970	750	282	310x96	2	2	1*	47,0	MAS1008030R5	
1200	600	300	1170	550	282	510x96	4	1	1*	51,0	MAS1206030R5	
		800	1170	750	282	310x96	2	2	1*	60,0	MAS1208030R5	

* 3 point espagnolette locking.

Dimensions



Accessories for wall mounting enclosures

AW, Wall mounting brackets



Description: Mounting brackets for safe wall fixing. It includes the sealing washers to guarantee the IP rating.

Material: AW41: 3 mm zinc plated steel AWS41: Chrome plated 4mm.

Pack. quantity: 4 brackets with mounting accessories.

Part No.
AW41
AWS41

ADO, Door stop



Description: To secure the door in an open position allowing a 90° or 110° opening. Mounted directly to the door profile. Drilling is required.

Material: Zinc plated steel.

Pack. quantity: 1 piece with mounting accessories.

Part No.
ADO201

AMG, Depth adjust kit



Description: To provide depth adjustment for different accessories: mounting plate, 19" profiles and modular support.

Material: 2mm galvanised steel.

Pack. quantity: 2 pairs with mounting accessories.

Enclosure dimension		Part No.
D		
155		AMG155
210		AMG210
260		AMG260
300		AMG300

DRA, Document pocket



Description: Self adhesive, for DIN A4.

Usable depth: 30 mm

Material: Thermoplastic

Colour: Grey, RAL 7035.

Pack. quantity: 1 Document pocket with double sided tape

Part No.
DRA04

ALL, Locks



Description: Alternative locks to replace the standard one.

Pack. quantity: 1 piece.

Description	Type	Part No.
Polyamide cylinder lock	Key 333	ALL509