

Field Interface Board

MAS-AO-08-D

8 Analog Output

Masibus Analog Output Field Interface Board has 8 channels that accepts various types of current/voltage signals and converts them to isolated current/voltage signals. It is compact universal DIN rail mounted with labeled input and output connections. Independent zero & span adjustment for each channel is possible.

Applications

- Eliminate Ground Loop problems
- Protect Expensive control systems against Field Faults
- Isolate and Translate System Signals
- Field Interface for PLC/DCS/SCADA systems

Technical Specifications

8-Channel Analog Output Field interface Board

Input

No of Channels & Type	8 Channel DC Volt/Current (Factory Set)
Input Range	As per Ordering code
Input Impedance	Current: I/P: 100 Ohms Voltage: I/P: >5M Ohms
I/P Connection	PCB Terminal Block or 25 pin D-Type connector

Output

Output	As per Ordering Code
Response Time	≤20 milli second at full load
Output Terminals	PCB Terminal Block accepts 2.5 mm ² conductor size
Load Impedance	0/1 to 5V @ 1KΩ min, 0 to 10V @ 3KΩ min, 0/4 mA to 20mA @750Ω max
Fault Indication	Red LED for over/under range (1-5V/4-20mA only)
Accuracy	0.1% of Output Span
Drift	0.1% per Year
Calibration	Zero & Span Individual per channel by multi-turn trim-pots

Technical Specifications

8-Channel Analog Output Field interface Board

Power Supply

Power Supply	24VDC ±10%
Fuse Rating	2 Amp (Fast Blown)
Power Consumption	< 12VA
LED Indication	Green LED - Healthy status Red LED - Fault Status

Isolation

Isolation	1.5KV AC Input to Power, Output to Output , Input to Output and Output to Power
-----------	--

Physical

Dimension (in mm)	225(L) x 90(W) x 90(D)
Mounting	DIN Rail (35 mm width)
Profile Material	PVC
Terminal Block	UL , CSA standard
Terminal Cable Size	Upto 2.5mm ² conductor
Weight	Approx 400 gm

Environmental

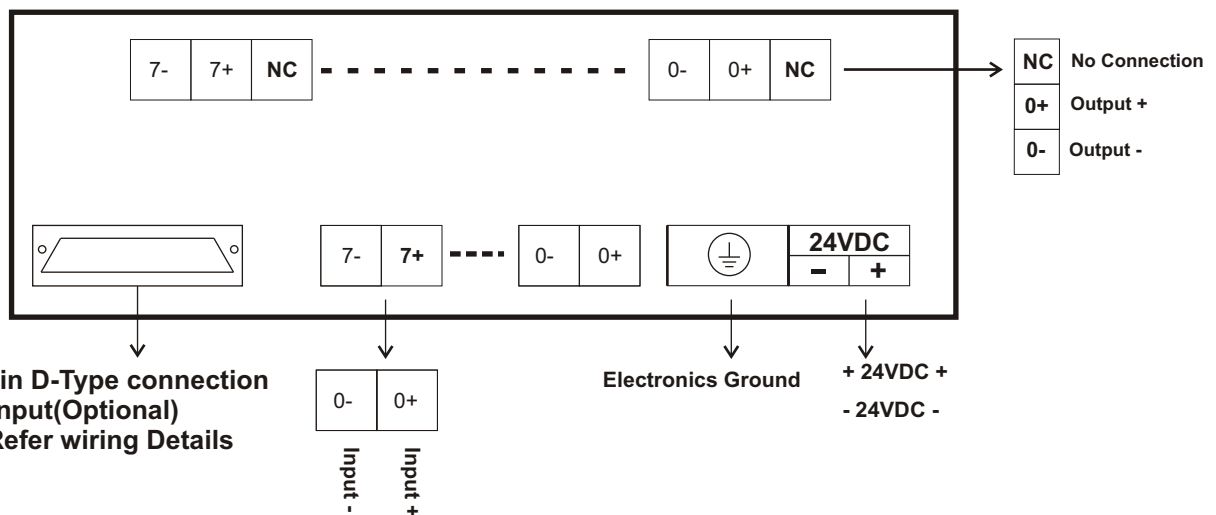
Operating Temperature	0 to 50°C
Humidity	30 to 95% RH non-condensing
Environmental Protection	Conformal Coating on PCB

ORDERING CODE

Model	Input Type & Range	Output Type & Range	Input Connection
MAS-AO-08-D	X	X	X
	C 4-20mA	C 4-20mA	0 PCB Terminal Block
	D 0-20mA	D 0-20mA	1 D Type connector
	E 1-5VDC	E 1-5VDC	
	F 0-5VDC	F 0-5VDC	
	G 0-10VDC	G 0-10VDC	
	S Special	S Special	

* For Special Range Consult Factory

Connection Details



Head Office:

Masibus Automation And Instrumentation Pvt. Ltd.
 B-30, GIDC Electronics Estate, Sector-25, Gandhinagar-382044, Gujarat, India.
 Tel: +91 79 23287275-79, Fax: +91 79 23287281-82.
 E-mail: sales@masibus.com, Web: www.masibus.com

All specifications are subject to change without notice due to continuous improvements.
 Doc. Ref. FIB MAS-AO-08-D/R0F/0214

Masibus Representative: