

# 1 & 3 $\phi$ V, A, F Meters – DM1000 & 3000 Series



DM3110 - 3  $\phi$  Ammeter



DM1210 - 1  $\phi$  Voltmeter



DM1310 - 1  $\phi$  Frequency

## Universal, User Programmable . .

All your needs in just five flexible & compact models

Unique	DM1110 1 $\phi$ A	DM3110 3 $\phi$ A	DM1210 1 $\phi$ V	DM3210 3 $\phi$ V	DM1310 1 $\phi$ F
■ Universal ranges	50 mA to 6 A 45 to 65 Hz		44 to 480 VAC 45 to 65 Hz	80 to 480 VLL 45 to 65 Hz	20 to 100 Hz 44 to 480 VAC
■ Wide range Auxiliary supply (Control power)	90 to 300 VAC (50/60 Hz)				
■ Low burden	Aux < 3 VA at 240 V				
	Amps < 0.2 VA		Volts < 0.2 VA		
■ Simple to order & Easy to stock					
■ User Programmable	CT ratio		PT ratio		Auto
■ Auto scaling	A to kA		V to kV		20 to 100 Hz

## High Accuracy % of reading

- Volts & Amps :  $\pm 1.0\%$ ,  $0.5\%$  of Rdg
- Frequency :  $\pm 0.2\%$  of Rdg

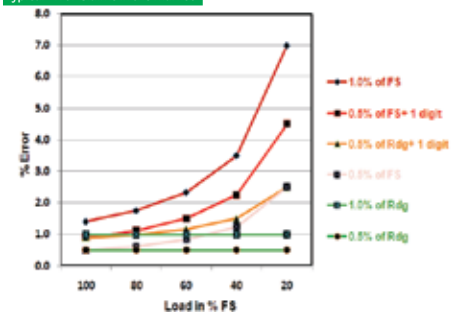
## Bright red LED Display

- Full 4 Digits, 0.1% Resolution
- >14mm height; 7 segment

## Smart

- Elegant industrial look
- Intuitive Dual function key
- Auto exit from setup
- Bright LED indicators - Kilo & Phase indications for measured value

Typical Error Claims in the market



## Rugged Construction

- Emission : CISPR22
- Fast Transient : 4 kV IEC 61000-4-4
- Surge withstand : 4 kV IEC 61000-4-5
- ESD : 15 kV Air discharge, 8 kV contact discharge IEC 61000-4-2
- Impulse voltage : 6 kV, 1.2/50  $\mu$ Second, IEC 60060
- Safety : Self extinguishable V0 plastics  
Measurement category III  
Pollution degree 2  
Spacing & Isolation as per UL & IEC Standards
- Sealed-dust proof construction

## Temperature

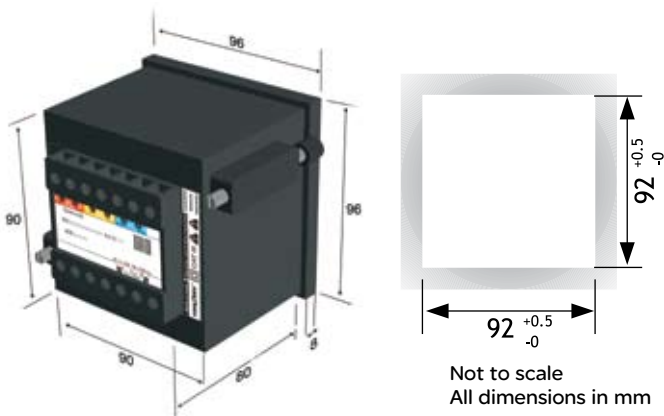
- Operating : -10  $^{\circ}$ C to 60  $^{\circ}$ C (14  $^{\circ}$ F to 140  $^{\circ}$ F)
- Storage : -25  $^{\circ}$ C to 70  $^{\circ}$ C (-13  $^{\circ}$ F to 158  $^{\circ}$ F)
- Weight : 400 gms approx, Unpacked;  
500 gms approx, Shipping
- Panel cut out : 92 x 92 mm Flush mount

## Applications

- 1 & 3  $\phi$  AC Volts, Amps and 1  $\phi$  Hz measurement & Monitoring
- 3 Phase Volts & Hz monitoring with selector switch (DM1000 series)
- Electrical load monitoring
- Gensets, Test benches & Laboratories
- Capacitor rated current measurement in PFI panels

## Installation

Mechanical dimensions & Panel cut - out



## Color keyed Terminals



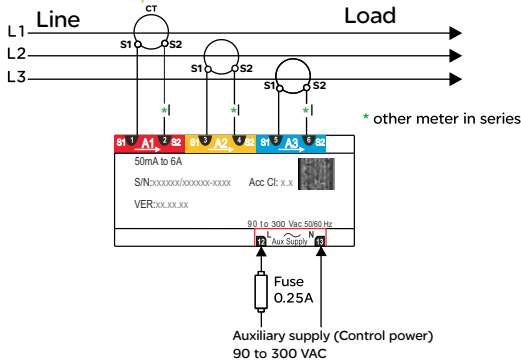
Terminal representation only. For other models please refer the Quick start guide.

## DM3110 - 3 φ Ammeter

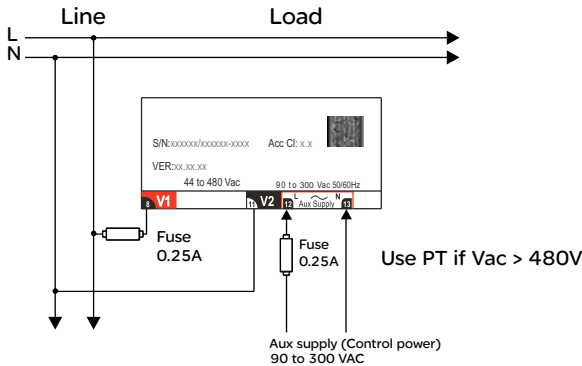
Terminals are colored in four different colors to ensure defect free wiring. However these colors doesn't conform to national color codes which may vary from regions and applications

## Wiring diagrams

### DM3110 - 3 φ Ammeter



### DM1210 - 1 φ Voltmeter & frequency



Wiring representation only. For other models please refer the Quick start guide

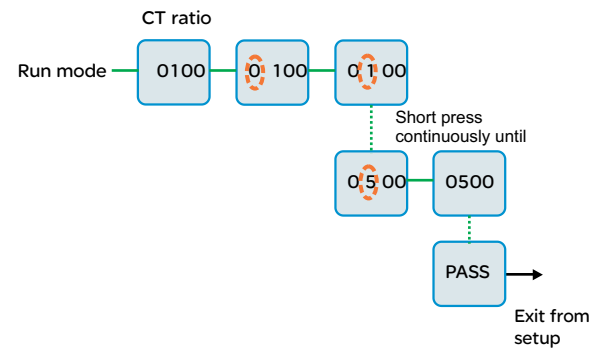
## Setup Menu

### Dual function key - Operation

Duration of press	Action
Five seconds	Setup entry
Long press - [Symbol]	Digit/Value selection to edit in setup
Two seconds	
Short press - [Symbol]	<ul style="list-style-type: none"> <li>Scroll down the display pages</li> <li>Digit/Value editing in setup</li> </ul>
Simple one touch	

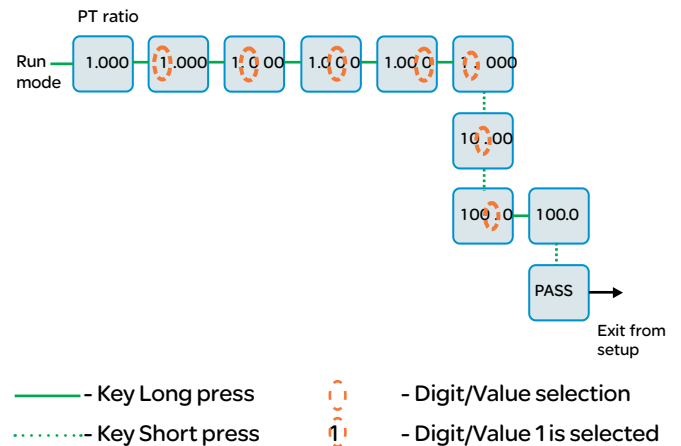
### DM1110 & DM3110: 1 φ & 3 φ Ammeter

Editing CT ratio e.g. CTr = 2500/5 i.e. 500



### DM1210 & DM3210: 1 φ & 3 φ Voltmeter

Editing PT ratio e.g. PTR = 11 kV/110 i.e. 100



- Key Long press
- ..... Key Short press
- [Dashed box] - Digit/Value selection
- [Box with 1] - Digit/Value 1 is selected

## Ordering Information

Specify

Model no	Accuracy	Meter type	Alternate for existing models
<input type="checkbox"/> DM1110		1 φ Ammeter	DM 3252 DM 3259
<input type="checkbox"/> DM1210	<input type="checkbox"/> Cl 1.0 <input type="checkbox"/> Cl 0.5	1 φ Voltmeter	DM 3259 DM 3251
<input type="checkbox"/> DM1310	<input type="checkbox"/> Cl 0.2	1 φ Frequency	DM3270
<input type="checkbox"/> DM3110	<input type="checkbox"/> Cl 1.0 <input type="checkbox"/> Cl 0.5	3 φ Ammeter	DM 3258 DM 3261
<input type="checkbox"/> DM3210		3 φ Voltmeter	DM 3256 DM 3257



For more information visit our website at [www.schneider-electric.co.in](http://www.schneider-electric.co.in)  
 Schneider Electric India Pvt. Ltd. (A 100% subsidiary of Schneider Electric Industries SAS)  
 Corporate Office: 9th Floor, DLF Building No. 10, Tower C, DLF Cyber City, Phase II,  
 Gurgaon - 122002, Haryana, Tel: 0124 3940400, Fax: 0124 4222036  
 Customer Care Centre: Toll-free numbers: 1800 180 1707, 1800 103 0011,  
 General number: 0124 4222040, Email: [in-care@in.schneider-electric.com](mailto:in-care@in.schneider-electric.com)

