



Features:

- 4 Digit 7 Segment LED
- Scalable Analog Input
- Digital filtering for Display
- Voltage/Current Input type
- Low Cost

Size: 48mm x 48mm

Technical Specifications

Display

| | |
|--------|--|
| Digits | 4 digit 7 Segment LED Height of Display 0.3785" |
|--------|--|

Input Specifications

| | |
|---------------------|---|
| Inputs | Voltage : 0 - 10V DC Current : 0 - 20mA & 4- 20mA DC |
| Resolution | Decimal point position selectable 1/0.1/0.01/0.001 |
| Indication Accuracy | ±0.5% of F.S., ± 1 digit (F.S. = Full Scale) |

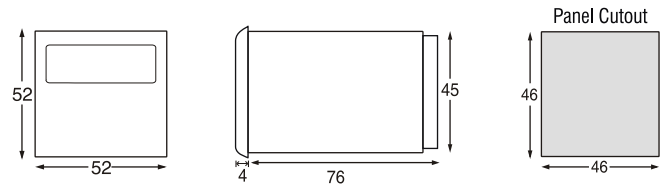
Supply Voltage

| | |
|-------------------|--------------------------|
| Supply Voltage | 230V AC, ± 20%, 50/60 Hz |
| Power Consumption | 3VA Max. |

Environmental Specifications

| | |
|---------------------------|--|
| Temperature | Operating: 0 to 50°C (32 to 122°F) Storage: -20 to 75°C (-4 to 167°F) |
| Humidity (non-condensing) | 95% RH |
| Weight | 200 gms |
| Protection Level | IP65 for faceplate |

Dimensions

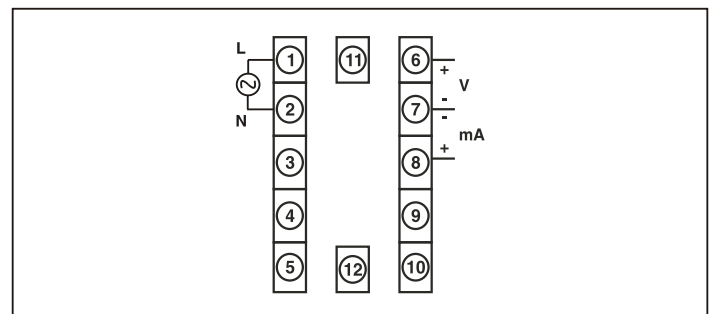


All dimensions are in mm

Mounting Accessories (Supplied with units)

For 48 X 48 Collar clamp ACL4802

Terminal Connections



Ordering Information

| Part No. | Supply Voltage | Type of Input |
|----------------|----------------|--------------------------------|
| PIC501A-VI-230 | 230V AC | 0-10V DC/0-20mA & 4-20mA Input |