

LOW VOLTAGE CURRENT TRANSFORMER

RISHABH XMER SERIES



Data Sheet

SQUARE TYPE CURRENT TRANSFORMER

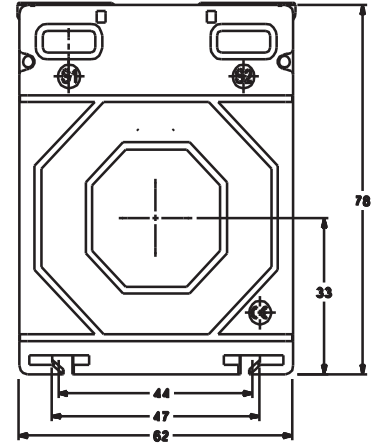
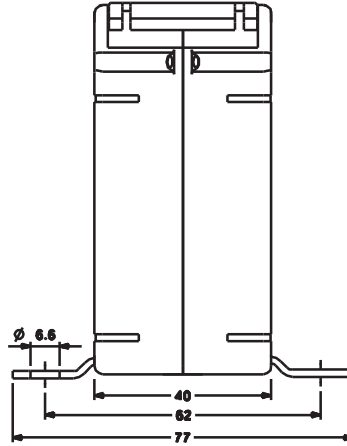
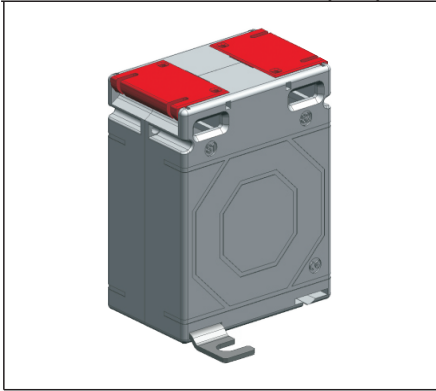
XMER SERIES



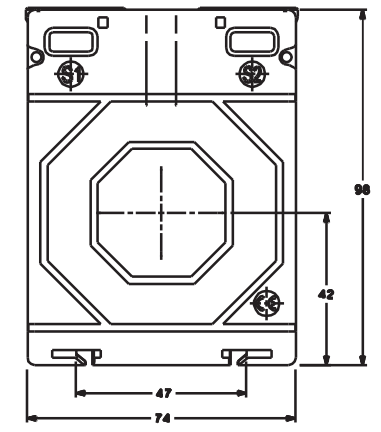
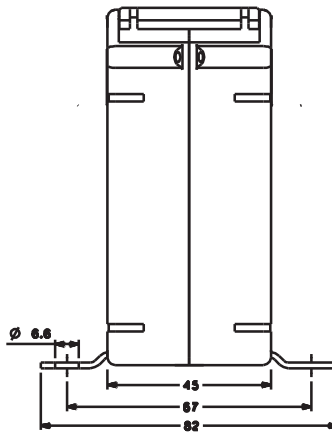
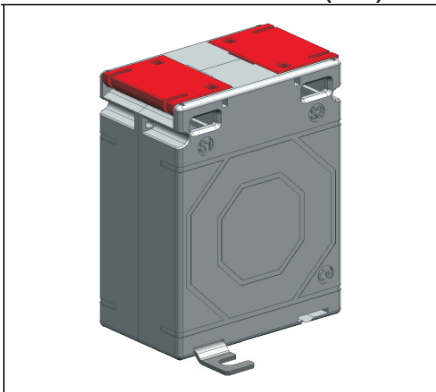
LOW VOLTAGE CURRENT TRANSFORMER

RISH XMER WOUND PRIMARY SERIES

RISH XMER 62W (40)



RISH XMER 74W (40)



ALL DIMENSIONS ARE IN MM

Primary Current	RISH XMER 62/W (40)		
	Accuracy		
	0.2	0.5	1.0
1A	1VA	2.5VA	5VA
2.5A	1VA	2.5VA	5VA
5A	1VA	2.5VA	5VA
7.5A	1VA	2.5VA	5VA
10A	1VA	2.5VA	5VA
15A	1VA	2.5VA	5VA
20A	1VA	2.5VA	5VA
25A	1VA	2.5VA	5VA
30A	1VA	2.5VA	5VA

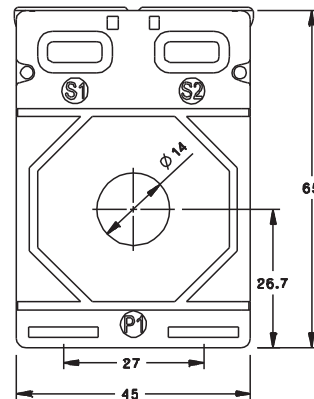
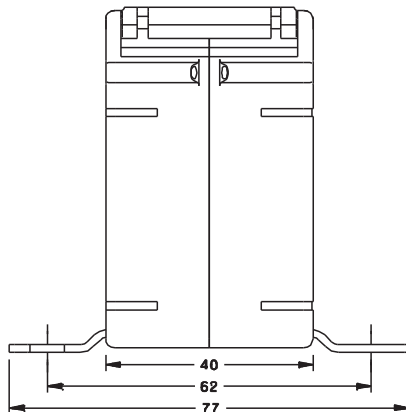
Primary Current	RISH XMER 74/W (45)		
	Accuracy		
	0.2	0.5	1.0
1A	1.5VA	5VA	10VA
2.5A	1.5VA	5VA	10VA
5A	1.5VA	5VA	10VA
7.5A	1.5VA	5VA	10VA
10A	1.5VA	5VA	10VA
15A	1.5VA	5VA	10VA
20A	1.5VA	5VA	10VA
25A	1.5VA	5VA	10VA
30A	1.5VA	5VA	10VA
40A	1.5VA	5VA	10VA
50A	1.5VA	5VA	10VA
60A	1.5VA	5VA	10VA



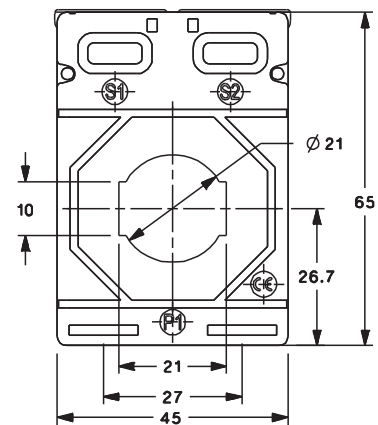
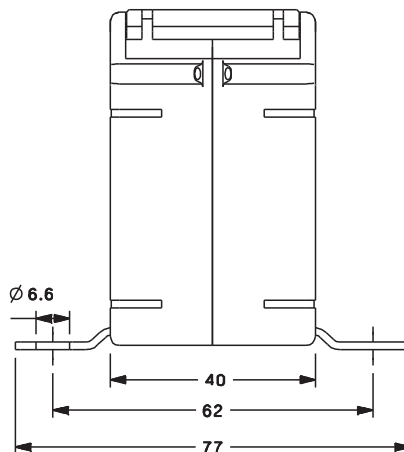
LOW VOLTAGE CURRENT TRANSFORMER

RISH XMER 45 SERIES

RISH XMER 45-14



RISH XMER 45-21



ALL DIMENSIONS ARE IN MM

Primary Current	RISH XMER 45/14 (40)	
	Accuracy	
	0.5	1.0
30A	-	1VA
40A	-	1VA
50A	-	1.5VA
60A	-	1.5VA
75A	-	2.5VA
80A	1VA	2.5VA
100A	1.5VA	3.75VA
120A	1.5VA	3.75VA
125A	2.5VA	3.75VA
150A	2.5VA	5VA
200A	3.75VA	7.5VA
250A	5VA	7.5VA
300A	5VA	10VA

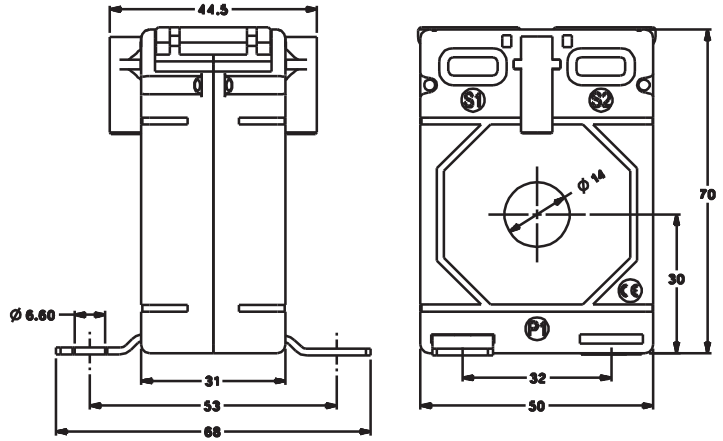
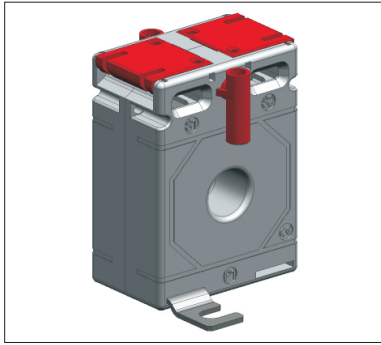
Primary Current	RISH XMER 45/21 (40)	
	Accuracy	
	0.5	1.0
50A	-	1.5VA
60A	-	1.5VA
75A	-	2.5VA
80A	1VA	2.5VA
100A	1.5VA	3.75VA
120A	1.5VA	3.75VA
125A	2.5VA	3.75VA
150A	2.5VA	5VA
200A	3.75VA	5VA
250A	3.75VA	5VA
300A	5VA	5VA
400A	5VA	5VA



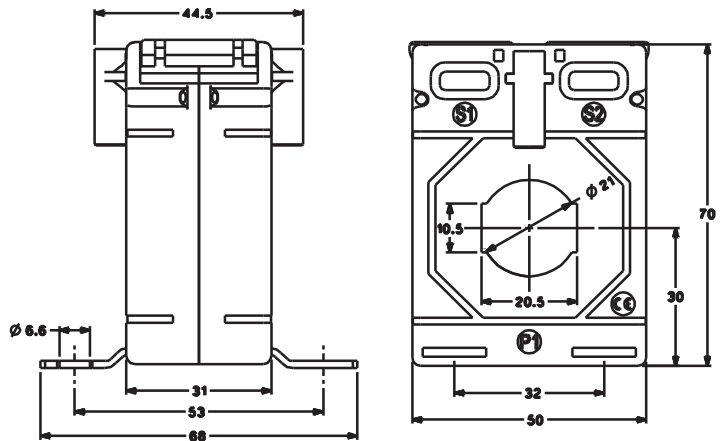
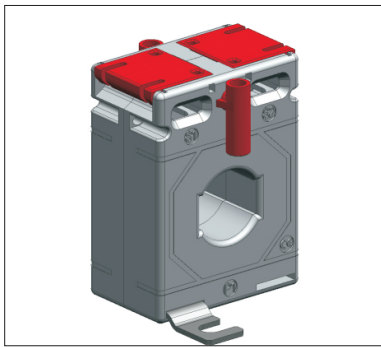
LOW VOLTAGE CURRENT TRANSFORMER

RISH XMER 50/14 [30], 50/21 [30] and 50/30 [30] SERIES

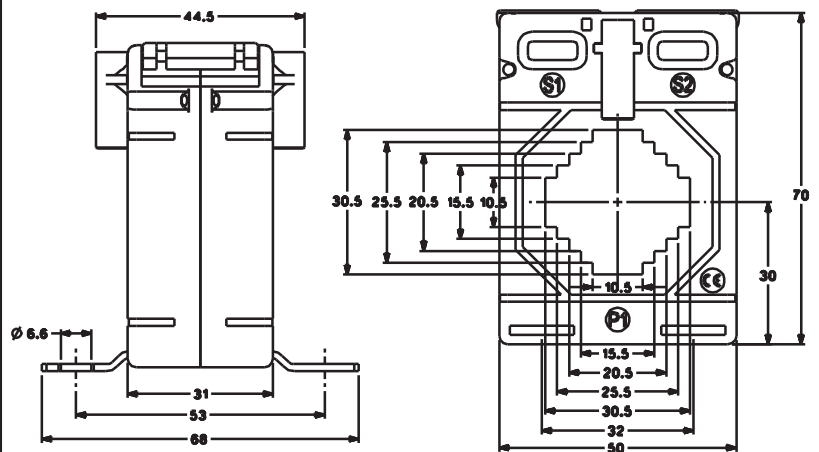
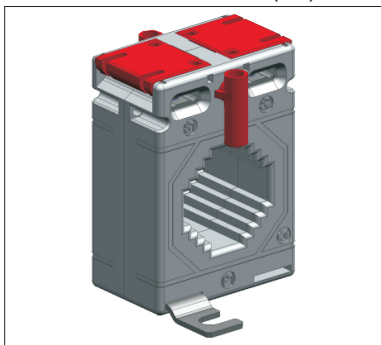
RISH XMER 50/14 (30)



RISH XMER 50/21 (30)



RISH XMER 50/30 (30)



ALL DIMENSIONS ARE IN MM



LOW VOLTAGE CURRENT TRANSFORMER

Primary Current	RISH XMER 50/14 (30)	
	Accuracy	
	0.5	1.0
40A	-	1VA
50A	-	1.5VA
60A	-	1.5VA
75A	-	1.5VA
80A	-	1.5VA
100A	2.5VA	3.75VA
120A	2.5VA	3.75VA
125A	2.5VA	3.75VA
150A	3.75VA	5VA
200A	3.75VA	5VA
250A	5VA	7.5VA
300A	7.5VA	7.5VA

Primary Current	RISH XMER 50/21 (30)	
	Accuracy	
	0.5	1.0
40A	-	1VA
50A	-	1VA
60A	-	1VA
75A	-	1.5VA
80A	1VA	2.5VA
100A	1.5VA	2.5VA
120A	2.5VA	2.5VA
125A	2.5VA	3.75VA
150A	2.5VA	5VA
200A	3.75VA	5VA
250A	5VA	5VA
300A	5VA	7.5VA
400A	5VA	7.5VA

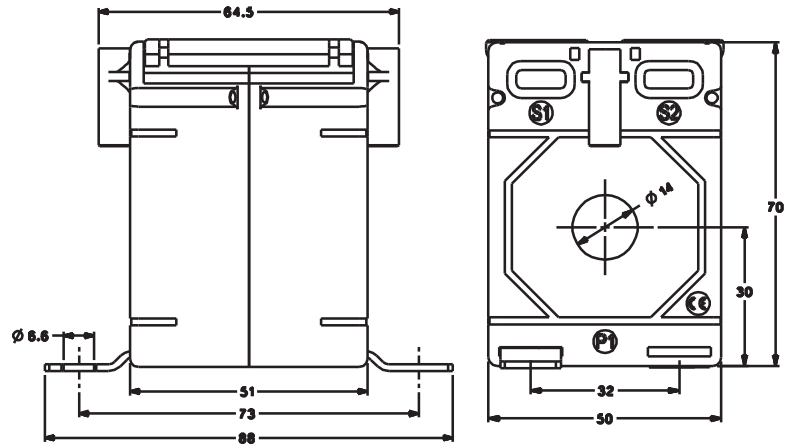
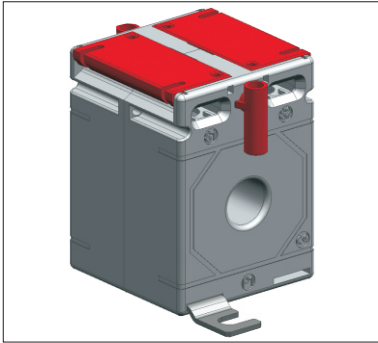
Primary Current	RISH XMER 50/30 (30)	
	Accuracy	
	0.5	1.0
75A	-	1VA
80A	-	1.5VA
100A	1VA	2.5VA
120A	1VA	2.5VA
125A	1VA	2.5VA
150A	2.5VA	3.75VA
200A	2.5VA	5VA
250A	5VA	5VA
300A	5VA	5VA
400A	5VA	6.25VA
500A	5VA	6.25VA
600A	5VA	7.5VA



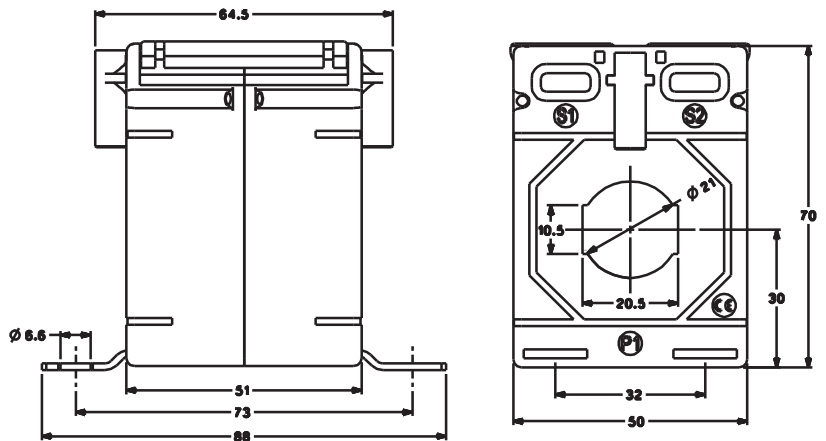
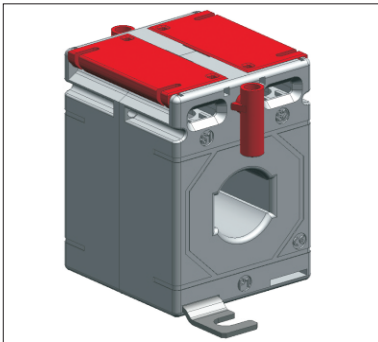
LOW VOLTAGE CURRENT TRANSFORMER

RISH XMER 50/14 [50], 50/21 [50] and 50/30 [50] SERIES

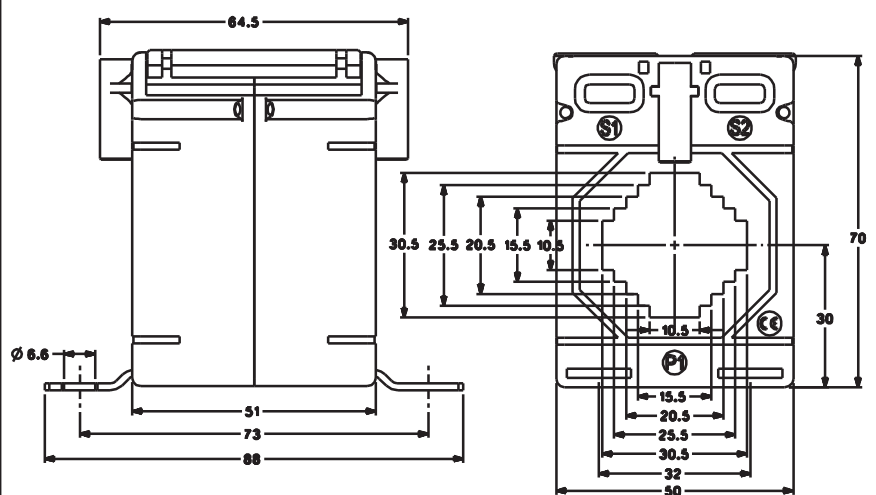
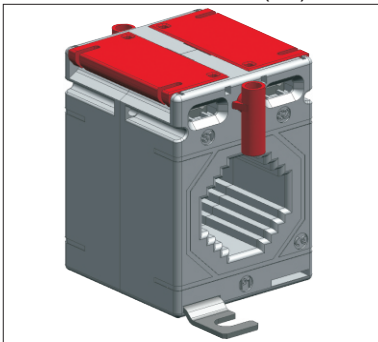
RISH XMER 50/14 (50)



RISH XMER 50/21 (50)



RISH XMER 50/30 (50)



ALL DIMENSIONS ARE IN MM



LOW VOLTAGE CURRENT TRANSFORMER

Primary Current	RISH XMER 50/14 (50)	
	Accuracy	
	0.5	1.0
30A	-	1VA
40A	-	1VA
50A	1.5VA	1.5VA
60A	1.5VA	1.5VA
75A	2.5VA	5VA
80A	2.5VA	5VA
100A	3.75VA	5VA
120A	3.75VA	5VA
125A	3.75VA	5VA
150A	5VA	7.5VA
200A	7.5VA	10VA
250A	10VA	12.5VA
300A	10VA	12.5VA

Primary Current	RISH XMER 50/21 (50)	
	Accuracy	
	0.5	1.0
50A	1VA	2.5VA
60A	1VA	2.5VA
75A	1.5VA	2.5VA
80A	2.5VA	5VA
100A	2.5VA	5VA
120A	3.75VA	5VA
125A	5VA	5VA
150A	5VA	10VA
200A	7.5VA	10VA
250A	7.5VA	10VA
300A	7.5VA	12.5VA
400A	10VA	15VA

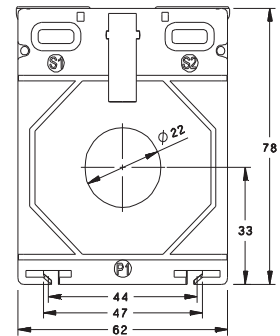
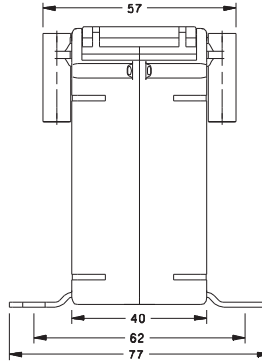
Primary Current	RISH XMER 50/30 (50)	
	Accuracy	
	0.5	1.0
50A	-	1.5VA
60A	-	1.5VA
75A	-	2.5VA
80A	-	2.5VA
100A	2.5VA	5VA
120A	2.5VA	5VA
125A	2.5VA	5VA
150A	5VA	5VA
200A	5VA	7.5VA
250A	5VA	10VA
300A	5VA	10VA
400A	10VA	12.5VA
500A	10VA	12.5VA
600A	10VA	15VA



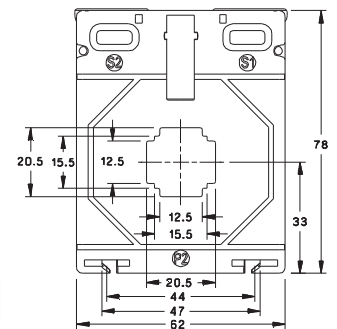
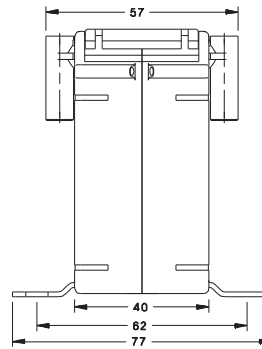
LOW VOLTAGE CURRENT TRANSFORMER

RISH XMER 62 SERIES

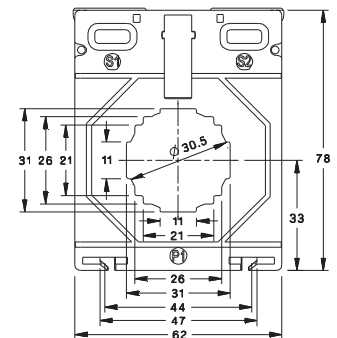
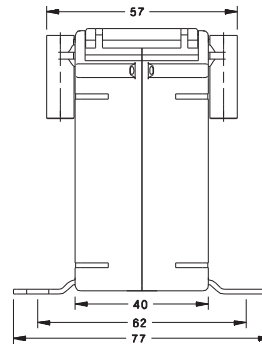
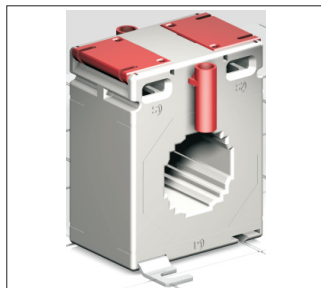
RISH XMER 62-R



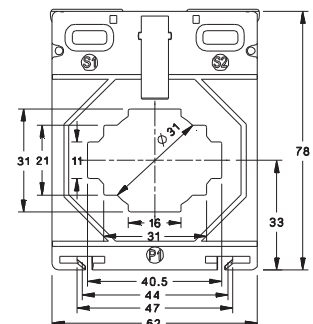
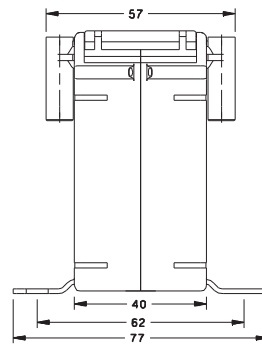
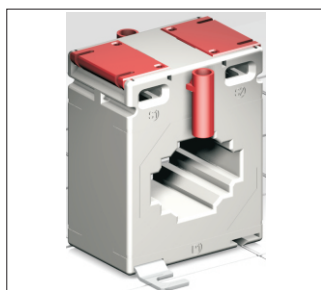
RISH XMER 62-20



RISH XMER 62-30



RISH XMER 62-40



ALL DIMENSIONS ARE IN MM



LOW VOLTAGE CURRENT TRANSFORMER

Primary Current	RISH XMER 62/R		
	Accuracy		
	0.2	0.5	1.0
50A	-	-	1.5VA
60A	-	-	2.5VA
75A	-	1.5VA	2.5VA
80A	-	2.5VA	2.5VA
100A	1.5VA	2.5VA	5VA
120A	1.5VA	3.75VA	5VA
125A	1.5VA	3.75VA	5VA
150A	2.5VA	5VA	7.5VA
200A	5VA	7.5VA	10VA
250A	5VA	10VA	15VA
300A	5VA	10VA	15VA
400A	7.5VA	15VA	15VA
500A	10VA	15VA	15VA
600A	10VA	15VA	15VA

Primary Current	RISH XMER 62/20 (40)			
	Accuracy			
	0.2S	0.2	0.5	1.0
50A	-	-	-	1.5VA
60A	-	-	-	2.5VA
75A	-	-	1.5VA	3.75VA
80A	-	-	2.5VA	3.75VA
100A	1.5VA	1.5VA	2.5VA	5VA
120A	1.5VA	1.5VA	3.75VA	5VA
125A	1.5VA	1.5VA	3.75VA	5VA
150A	2VA	2.5VA	5VA	7.5VA
200A	3.75VA	5VA	7.5VA	10VA
250A	3.75VA	5VA	10VA	15VA
300A	3.75VA	5VA	10VA	15VA
400A	5VA	7.5VA	15VA	15VA

Primary Current	RISH XMER 62/30 (40)			
	Accuracy			
	0.2S	0.2	0.5	1.0
50A	-	-	-	1.5VA
60A	-	-	-	1.5VA
75A	-	-	-	1.5VA
80A	-	-	-	2VA
100A	1VA	1VA	1.5VA	2.5VA
120A	1VA	1VA	2.5VA	3.75VA
125A	1VA	1VA	2.5VA	3.75VA
150A	1.5VA	1.5VA	3.75VA	5VA
200A	2.5VA	2.5VA	5VA	7.5VA
250A	2.5VA	3.75VA	5VA	10VA
300A	2.5VA	3.75VA	5VA	10VA
400A	3.75VA	5VA	7.5VA	12.5VA
500A	5VA	7.5VA	10VA	12.5VA
600A	5VA	7.5VA	15VA	15VA
750A	5VA	10VA	15VA	15VA
800A	5VA	10VA	15VA	15VA

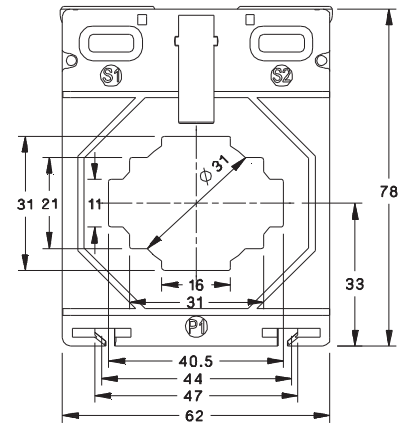
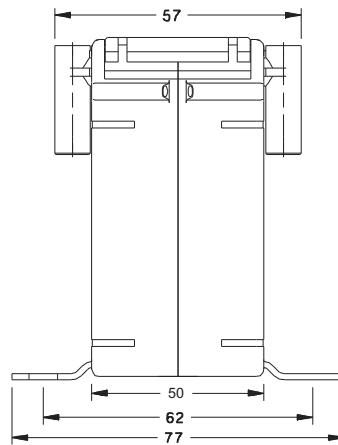
Primary Current	RISH XMER 62/40 (40)			
	Accuracy			
	0.2S	0.2	0.5	1.0
100A	-	-	-	1VA
120A	-	-	-	1.5VA
125A	-	-	-	1.5VA
150A	-	-	-	2.5VA
200A	1VA	1VA	1.5VA	3.75VA
250A	1.5VA	1.5VA	2.5VA	5VA
300A	1.5VA	1.5VA	5VA	5VA
400A	2.5VA	2.5VA	5VA	5VA
500A	3.75VA	5VA	5VA	7.5VA
600A	5VA	7.5VA	7.5VA	10VA
750A	5VA	10VA	10VA	10VA
800A	5VA	10VA	10VA	10VA



LOW VOLTAGE CURRENT TRANSFORMER

RISH XMER 62/30 (50) SERIES

RISH XMER 62/30 (50)



ALL DIMENSIONS ARE IN MM

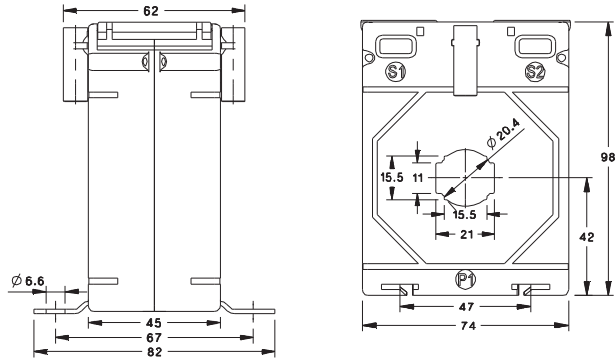
Primary Current	RISH XMER 62/30 (50)			
	Accuracy			
	0.2S	0.2	0.5	1.0
40A	-	-	-	1VA
50A	-	-	-	2.5VA
60A	-	-	-	2.5VA
75A	-	-	2.5VA	2.5VA
80A	-	-	2.5VA	3.75VA
100A	1.25VA	1.25VA	5VA	5VA
120A	1.25VA	1.25VA	5VA	5VA
125A	1.25VA	1.25VA	5VA	5VA
150A	2VA	2VA	5VA	7.5VA
200A	3VA	3.75VA	10VA	15VA
250A	3VA	5VA	15VA	15VA
300A	3VA	5VA	15VA	15VA
400A	5VA	6.25VA	15VA	30VA
500A	5VA	7.5VA	15VA	30VA
600A	6.25VA	10VA	20VA	30VA
750A	6.25VA	10VA	20VA	30VA
800A	6.25VA	10VA	20VA	30VA



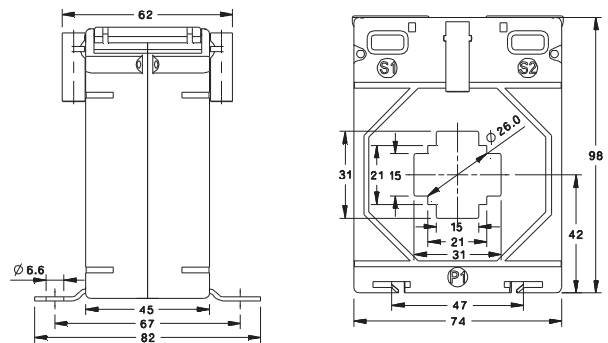
LOW VOLTAGE CURRENT TRANSFORMER

RISH XMER 74 SERIES

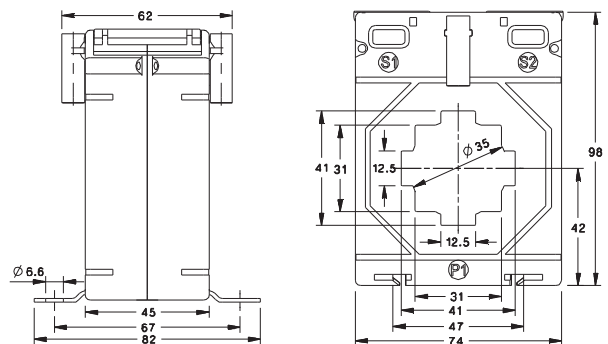
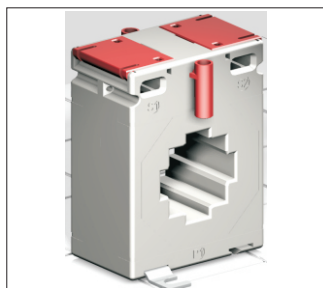
RISH XMER 74-20



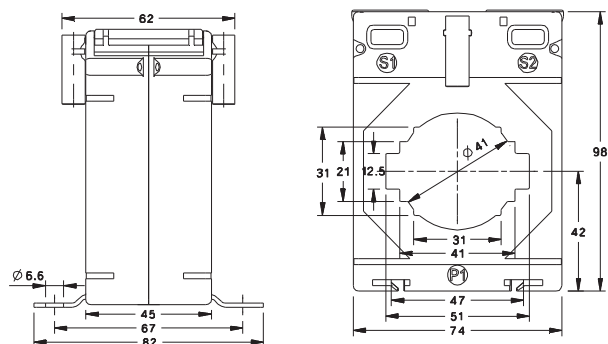
RISH XMER 74-30



RISH XMER 74-40



RISH XMER 74-50



ALL DIMENSIONS ARE IN MM



LOW VOLTAGE CURRENT TRANSFORMER

Primary Current	RISH XMER 74/20 (45)			
	Accuracy			
	0.2S	0.2	0.5	1.0
30A	-	-	-	1.5VA
40A	-	-	-	1.5VA
50A	-	-	-	2.5VA
60A	-	-	-	3.75VA
75A	-	-	1.5VA	5VA
80A	-	-	1.5VA	5VA
100A	1.5VA	1.5VA	5VA	7.5VA
120A	1.5VA	1.5VA	5VA	10VA
125A	1.5VA	1.5VA	5VA	10VA
150A	2.5VA	2.5VA	7.5VA	12.5VA
200A	5VA	5VA	10VA	15VA
250A	5VA	5VA	10VA	15VA
300A	5VA	7.5VA	15VA	15VA
400A	5VA	10VA	15VA	20VA

Primary Current	RISH XMER 74/30 (45)			
	Accuracy			
	0.2S	0.2	0.5	1.0
30A	-	-	-	1VA
40A	-	-	-	1.5VA
50A	-	-	-	1.5VA
60A	-	-	-	2.5VA
75A	-	-	1.5VA	2.5VA
80A	-	-	1.5VA	3.75VA
100A	1.5VA	1.5VA	2.5VA	5VA
120A	1.5VA	1.5VA	2.5VA	5VA
125A	1.5VA	1.5VA	2.5VA	5VA
150A	1.5VA	1.5VA	5VA	7.5VA
200A	2.5VA	2.5VA	10VA	15VA
250A	2.5VA	2.5VA	10VA	15VA
300A	2.5VA	5VA	10VA	15VA
400A	5VA	7.5VA	15VA	20VA
500A	5VA	10VA	15VA	20VA
600A	5VA	15VA	15VA	20VA
750A	7.5VA	20VA	20VA	30VA
800A	10VA	30VA	30VA	30VA

Primary Current	RISH XMER 74/40 (45)			
	Accuracy			
	0.2S	0.2	0.5	1.0
40A	-	-	-	1VA
50A	-	-	-	1VA
60A	-	-	-	1VA
75A	-	-	-	1.5VA
80A	-	-	-	1.5VA
100A	-	-	1.5VA	2.5VA
120A	-	-	1.5VA	2.5VA
125A	-	-	1.5VA	2.5VA
150A	-	-	2.5VA	3.75VA
200A	2.5VA	2.5VA	3.75VA	5VA
250A	2.5VA	2.5VA	5VA	7.5VA
300A	2.5VA	2.5VA	5VA	7.5VA
400A	5VA	5VA	7.5VA	12.5VA
500A	5VA	7.5VA	10VA	15VA
600A	5VA	10VA	15VA	20VA
750A	5VA	10VA	15VA	20VA
800A	7.5VA	15VA	15VA	20VA
1000A	10VA	15VA	15VA	20VA

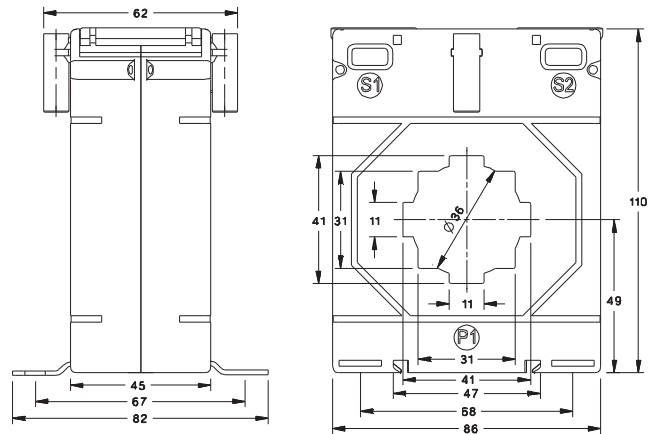
Primary Current	RISH XMER 74/50 (45)			
	Accuracy			
	0.2S	0.2	0.5	1.0
100A	-	-	-	1.5VA
120A	-	-	-	1.5VA
125A	-	-	-	1.5VA
150A	-	-	-	2.5VA
200A	-	-	1.5VA	3.75VA
250A	1.5VA	1.5VA	2.5VA	5VA
300A	1.5VA	1.5VA	5VA	7.5VA
400A	2.5VA	2.5VA	5VA	7.5VA
500A	5VA	5VA	7.5VA	10VA
600A	5VA	7.5VA	10VA	12.5VA
750A	5VA	10VA	12.5VA	15VA
800A	5VA	10VA	12.5VA	15VA
1000A	5VA	10VA	12.5VA	15VA



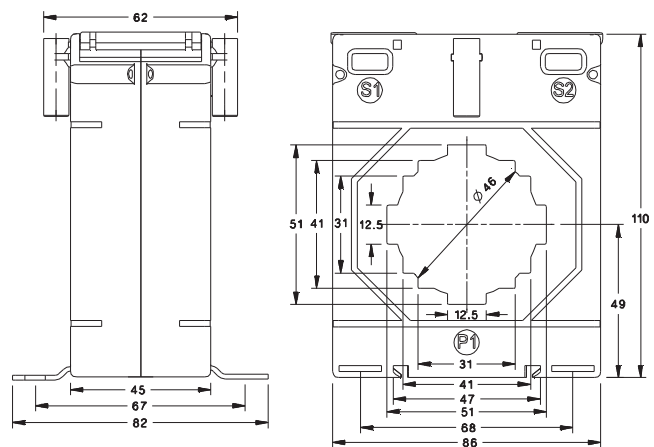
LOW VOLTAGE CURRENT TRANSFORMER

RISH XMER 86 SERIES

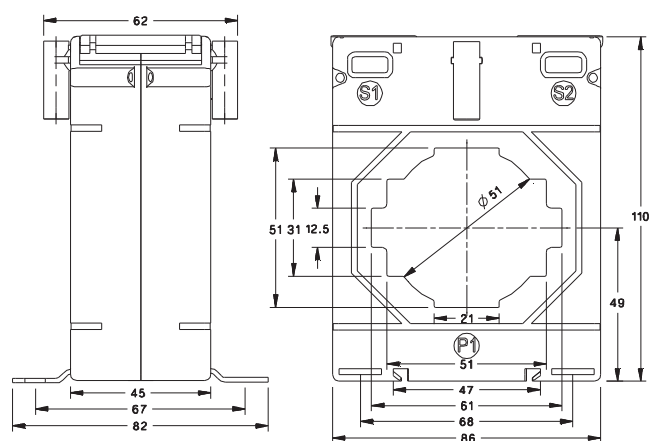
RISH XMER 86-40



RISH XMER 86-50



RISH XMER 86-60



ALL DIMENSIONS ARE IN MM



LOW VOLTAGE CURRENT TRANSFORMER

Primary Current	RISH XMER 86/40 (45)			
	Accuracy			
	0.2S	0.2	0.5	1.0
50A	-	-	-	1.5VA
60A	-	-	-	1.5VA
75A	-	-	-	2.5VA
80A	-	-	-	2.5VA
100A	1.5VA	1.5VA	1.5VA	3.75VA
120A	1.5VA	1.5VA	2.5VA	5VA
125A	1.5VA	1.5VA	2.5VA	5VA
150A	2.5VA	2.5VA	3.75VA	5VA
200A	2.5VA	2.5VA	5VA	7.5VA
250A	3.75VA	3.75VA	7.5VA	12.5VA
300A	3.75VA	5VA	10VA	15VA
400A	3.75VA	7.5VA	15VA	20VA
500A	5VA	10VA	20VA	30VA
600A	7.5VA	15VA	30VA	30VA
750A	7.5VA	15VA	30VA	30VA
800A	10VA	15VA	30VA	30VA
1000A	10VA	15VA	30VA	30VA

Primary Current	RISH XMER 86/50 (45)			
	Accuracy			
	0.2S	0.2	0.5	1.0
100A	-	-	-	1.5VA
120A	-	-	1.5VA	2.5VA
125A	-	-	1.5VA	2.5VA
150A	-	-	2.5VA	5VA
200A	-	-	5VA	7.5VA
250A	-	-	7.5VA	10VA
300A	1.5VA	1.5VA	7.5VA	10VA
400A	2.5VA	2.5VA	15VA	15VA
500A	2.5VA	5VA	15VA	20VA
600A	5VA	7.5VA	15VA	20VA
750A	7.5VA	10VA	15VA	20VA
800A	10VA	12.5VA	20VA	30VA
1000A	12.5VA	20VA	30VA	30VA
1200A	12.5VA	20VA	30VA	30VA
1250A	12.5VA	20VA	30VA	30VA

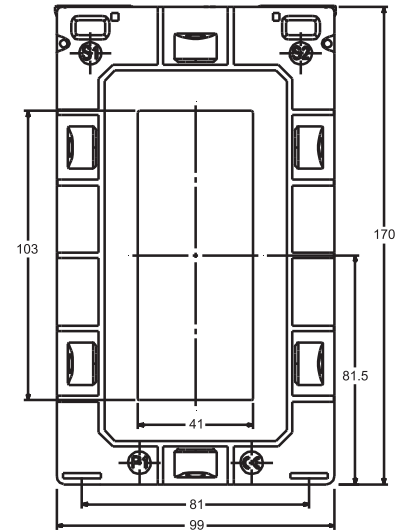
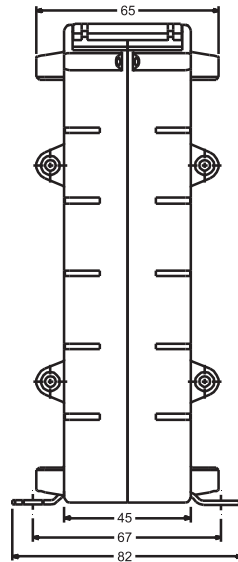
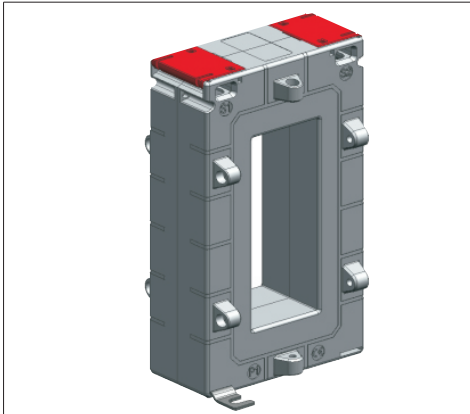
Primary Current	RISH XMER 86/60 (45)			
	Accuracy			
	0.2S	0.2	0.5	1.0
100A	-	-	-	1VA
120A	-	-	-	1.5VA
125A	-	-	-	2.5VA
150A	-	-	-	2.5VA
200A	-	-	1.5VA	3.75VA
250A	-	-	2.5VA	5VA
300A	1.5VA	1.5VA	5VA	7.5VA
400A	2.5VA	2.5VA	10VA	12.5VA
500A	2.5VA	3.75VA	10VA	12.5VA
600A	5VA	5VA	15VA	15VA
750A	5VA	10VA	15VA	20VA
800A	7.5VA	12.5VA	20VA	20VA
1000A	10VA	15VA	20VA	20VA
1200A	10VA	15VA	20VA	20VA
1250A	10VA	15VA	20VA	20VA
1500A	10VA	15VA	20VA	20VA
1600A	10VA	15VA	20VA	20VA



LOW VOLTAGE CURRENT TRANSFORMER

RISH XMER 100/100V SERIES

RISH XMER 100/100V



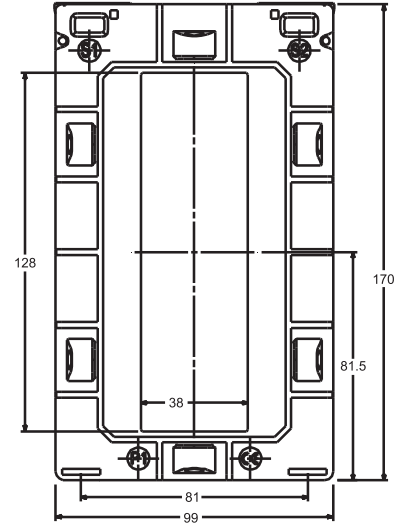
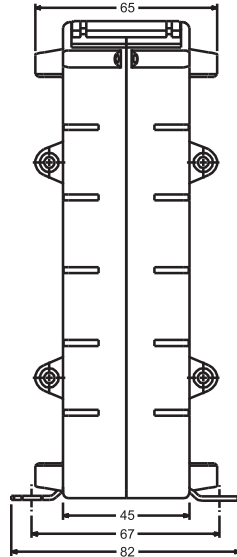
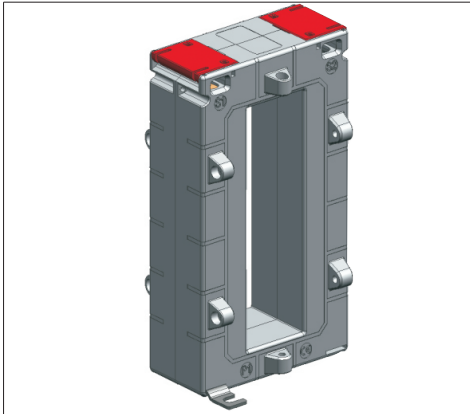
Primary Current	RISH XMER 100/100V (45)			
	Accuracy			
	0.2S	0.2	0.5	1.0
400A	-	-	2.5VA	5VA
500A	-	-	2.5VA	5VA
600A	-	-	2.5VA	5VA
750A	-	-	2.5VA	5VA
800A	-	-	5VA	10VA
1000A	-	5VA	10VA	15VA
1200A	5VA	5VA	10VA	15VA
1250A	5VA	5VA	10VA	15VA
1500A	5VA	5VA	15VA	30VA
1600A	7.5VA	10VA	15VA	30VA
2000A	7.5VA	10VA	15VA	30VA
2500A	10VA	10VA	15VA	20VA



LOW VOLTAGE CURRENT TRANSFORMER

RISH XMER 100/130V SERIES

RISH XMER 100/130V



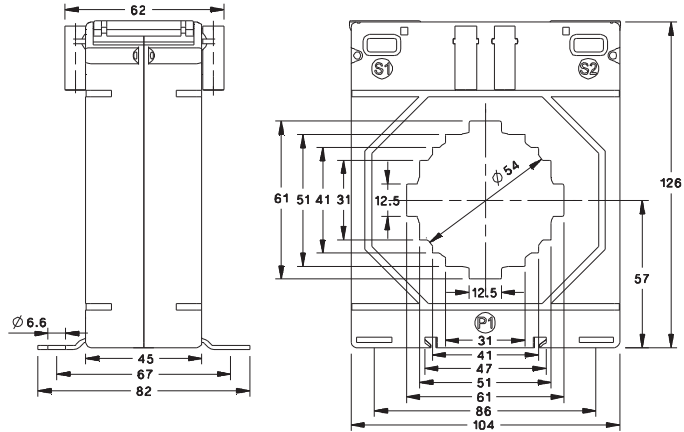
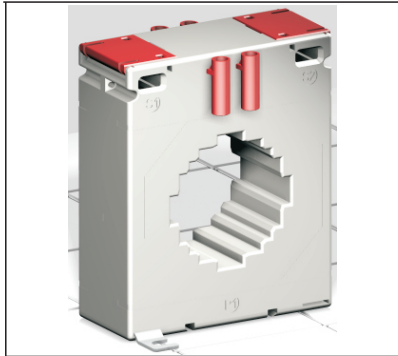
Primary Current	RISH XMER 100/130V (45)		
	Accuracy		
	0.2	0.5	1.0
400A	-	2.5VA	5VA
500A	-	2.5VA	5VA
600A	-	2.5VA	5VA
750A	-	2.5VA	5VA
800A	-	5VA	10VA
1000A	-	10VA	15VA
1200A	-	10VA	15VA
1250A	-	10VA	15VA
1500A	5VA	15VA	30VA
1600A	5VA	15VA	30VA
2000A	5VA	15VA	30VA
2500A	5VA	15VA	30VA
3200A	5VA	10VA	12.5VA



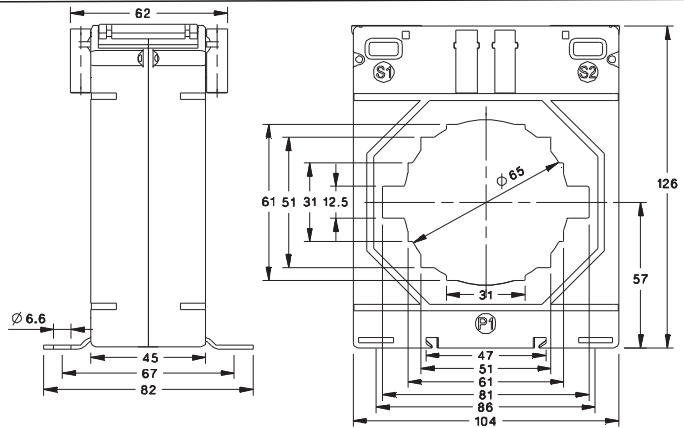
LOW VOLTAGE CURRENT TRANSFORMER

RISH XMER 104 SERIES

RISH XMER 104-60



RISH XMER 104-80



ALL DIMENSIONS ARE IN MM

Primary Current	RISH XMER 104/60 (45)			
	Accuracy			
	0.2S	0.2	0.5	1.0
100A	-	-	-	1.5VA
120A	-	-	-	2.5VA
125A	-	-	-	2.5VA
150A	-	-	2.5VA	5VA
200A	-	-	5VA	10VA
250A	-	1.5VA	7.5VA	12.5VA
300A	1.5VA	2.5VA	10VA	15VA
400A	2.5VA	3.75VA	10VA	15VA
500A	3.75VA	7.5VA	15VA	20VA
600A	5VA	10VA	15VA	30VA
750A	5VA	15VA	20VA	30VA
800A	7.5VA	15VA	30VA	30VA
1000A	10VA	20VA	30VA	45VA
1200A	10VA	30VA	30VA	45VA
1250A	10VA	30VA	30VA	45VA
1500A	10VA	30VA	30VA	45VA
1600A	10VA	30VA	30VA	45VA

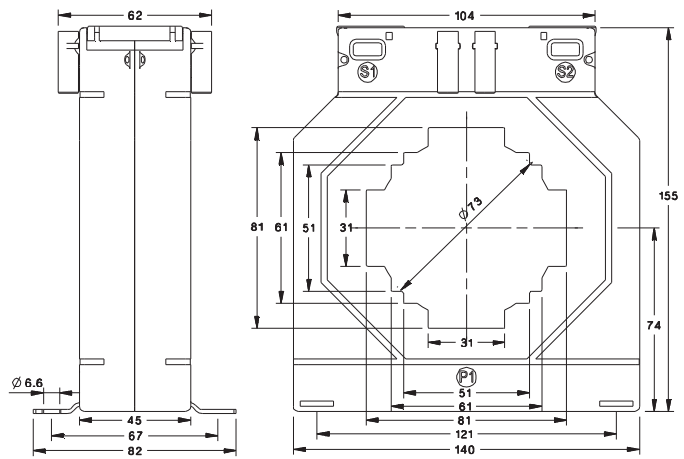
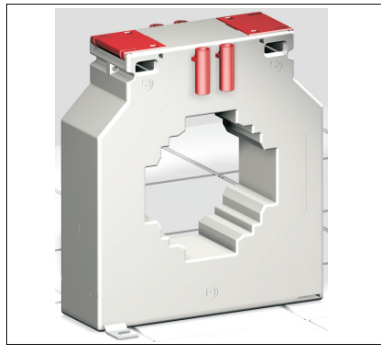
Primary Current	RISH XMER 104/80 (45)			
	Accuracy			
	0.2S	0.2	0.5	1.0
200A	-	-	-	1.5VA
250A	-	-	1.5VA	2.5VA
300A	-	-	2.5VA	7.5VA
400A	-	1.5VA	5VA	10VA
500A	-	1.5VA	5VA	10VA
600A	-	2.5VA	7.5VA	12.5VA
750A	5VA	5VA	10VA	15VA
800A	5VA	7.5VA	10VA	15VA
1000A	7.5VA	12.5VA	20VA	20VA
1200A	10VA	15VA	20VA	30VA
1250A	10VA	15VA	20VA	30VA
1500A	10VA	15VA	20VA	30VA
1600A	10VA	15VA	20VA	30VA
2000A	10VA	15VA	20VA	30VA



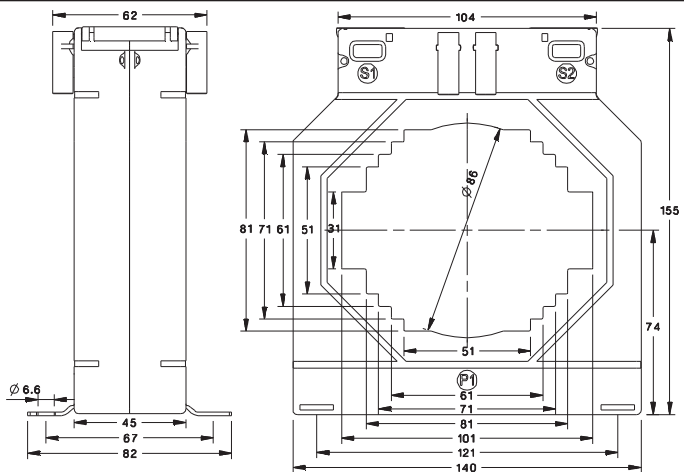
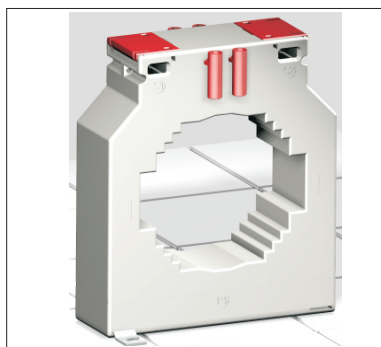
LOW VOLTAGE CURRENT TRANSFORMER

RISH XMER 140 SERIES

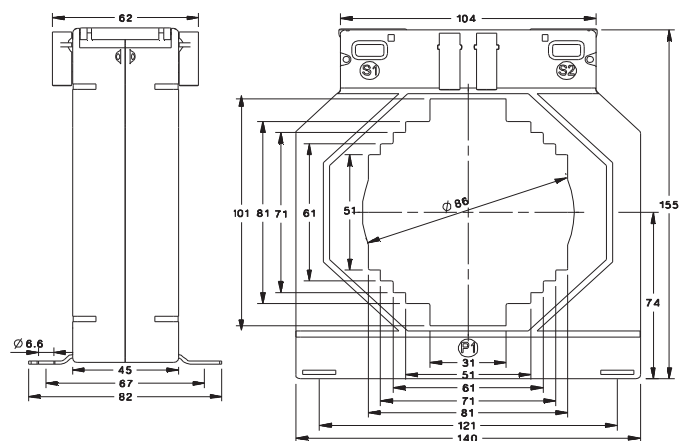
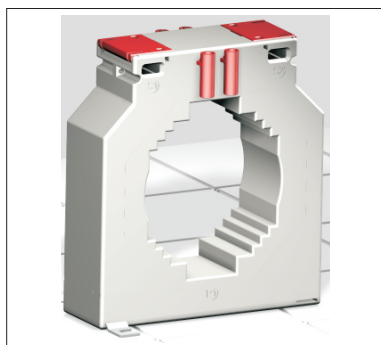
RISH XMER 140-80



RISH XMER 140-100H



RISH XMER 140-100V



ALL DIMENSIONS ARE IN MM



LOW VOLTAGE CURRENT TRANSFORMER

Primary Current	RISH XMER 140/80 (45)			
	Accuracy			
	0.2S	0.2	0.5	1.0
200A	-	-	2.5VA	5VA
250A	-	-	5VA	10VA
300A	-	1.5VA	7.5VA	15VA
400A	-	2.5VA	10VA	20VA
500A	2.5VA	5VA	15VA	30VA
600A	3.75VA	7.5VA	15VA	30VA
750A	5VA	10VA	15VA	45VA
800A	5VA	10VA	15VA	45VA
1000A	10VA	15VA	30VA	60VA
1200A	12.5VA	15VA	30VA	60VA
1250A	12.5VA	30VA	60VA	60VA
1500A	15VA	30VA	60VA	60VA
1600A	15VA	30VA	60VA	60VA
2000A	15VA	30VA	60VA	60VA

Primary Current	RISH XMER 140/100H (45)			
	Accuracy			
	0.2S	0.2	0.5	1.0
200A	-	-	1.5VA	3.75VA
250A	-	-	2.5VA	5VA
300A	-	-	3.75VA	7.5VA
400A	-	1.5VA	7.5VA	10VA
500A	-	2.5VA	10VA	12.5VA
600A	2.5VA	3.75VA	10VA	15VA
750A	5VA	5VA	15VA	20VA
800A	5VA	5VA	15VA	20VA
1000A	5VA	10VA	15VA	20VA
1200A	10VA	15VA	15VA	30VA
1250A	10VA	15VA	15VA	30VA
1500A	15VA	20VA	20VA	30VA
1600A	15VA	20VA	20VA	45VA
2000A	15VA	30VA	45VA	45VA
2500A	15VA	30VA	45VA	45VA
3000A	15VA	30VA	60VA	60VA
4000A	15VA	30VA	60VA	60VA

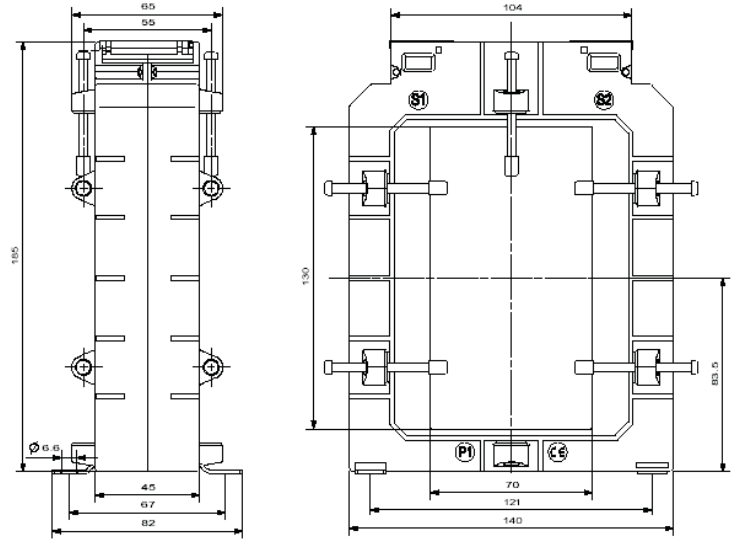
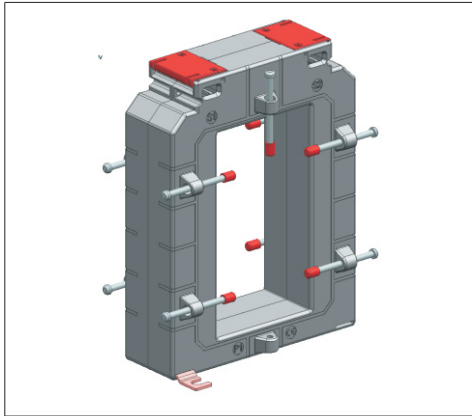
Primary Current	RISH XMER 140/100V (45)			
	Accuracy			
	0.2S	0.2	0.5	1.0
200A	-	-	1.5VA	3.75VA
250A	-	-	2.5VA	5VA
300A	-	-	3.75VA	7.5VA
400A	-	1.5VA	10VA	10VA
500A	-	2.5VA	10VA	12.5VA
600A	2.5VA	3.75VA	12.5VA	15VA
750A	5VA	5VA	15VA	20VA
800A	5VA	5VA	15VA	20VA
1000A	5VA	10VA	15VA	20VA
1200A	10VA	15VA	15VA	30VA
1250A	10VA	15VA	15VA	30VA
1500A	15VA	20VA	30VA	30VA
1600A	15VA	20VA	45VA	45VA
2000A	15VA	30VA	45VA	45VA
2500A	15VA	30VA	45VA	45VA
3000A	15VA	30VA	60VA	60VA



LOW VOLTAGE CURRENT TRANSFORMER

RISH XMER 140/130V (45) SERIES

RISH XMER 140/130V (45)



ALL DIMENSIONS ARE IN MM

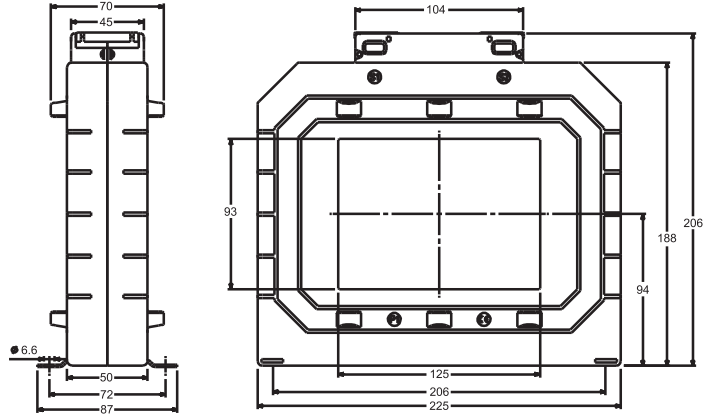
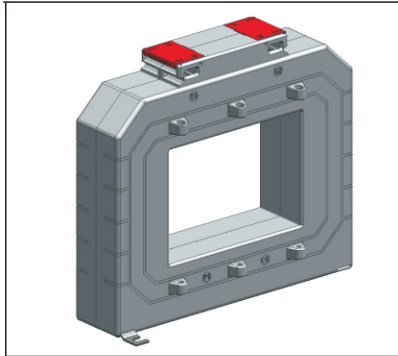
Primary Current	RISH XMER 140/130V (45)		
	Accuracy		
	0.2	0.5	1.0
400A	-	3.75VA	5VA
500A	-	3.75VA	5VA
600A	-	3.75VA	5VA
750A	-	5VA	7.5VA
800A	-	5VA	7.5VA
1000A	5VA	10VA	10VA
1200A	7.5VA	10VA	15VA
1250A	7.5VA	10VA	15VA
1500A	10VA	15VA	15VA
1600A	10VA	15VA	15VA
2000A	15VA	20VA	20VA
2500A	15VA	20VA	20VA
3000A	15VA	20VA	20VA
3200A	15VA	20VA	20VA
4000A	15VA	20VA	20VA
5000A	15VA	20VA	20VA



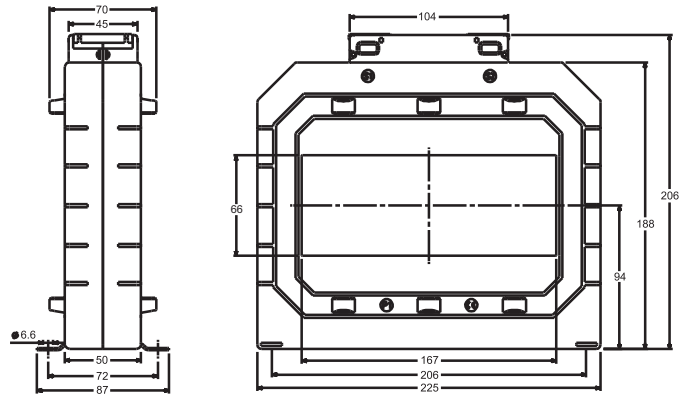
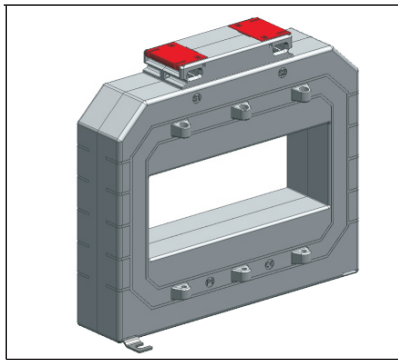
LOW VOLTAGE CURRENT TRANSFORMER

RISH XMER 225 SERIES

RISH XMER 225/125



RISH XMER 225/167



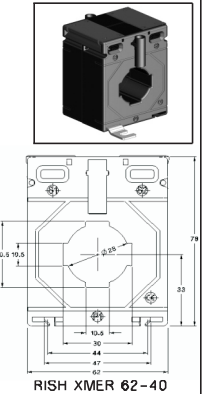
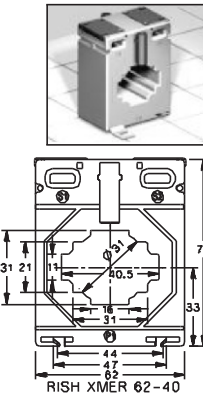
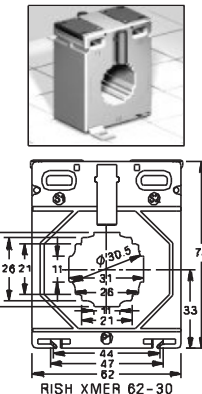
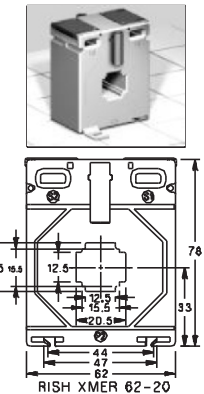
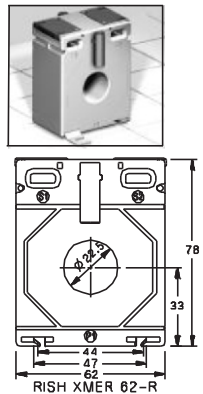
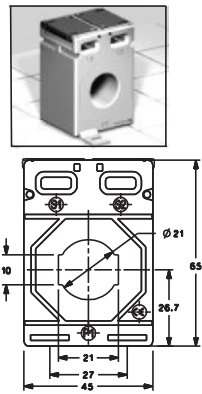
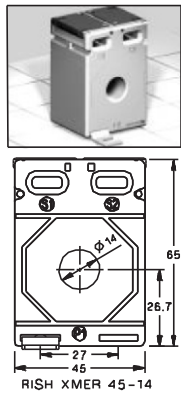
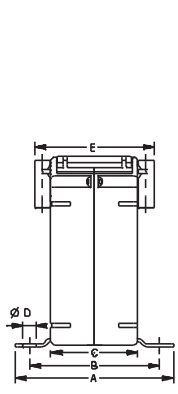
ALL DIMENSIONS ARE IN MM

Primary Current	RISH XMER 225/125 (50)			
	Accuracy			
	0.2S	0.2	0.5	1.0
600A	-	5VA	5VA	10VA
750A	-	5VA	10VA	10VA
800A	-	5VA	10VA	10VA
1000A	5VA	10VA	10VA	15VA
1200A	5VA	10VA	10VA	15VA
1250A	5VA	10VA	10VA	15VA
1500A	7.5VA	10VA	15VA	30VA
1600A	7.5VA	10VA	15VA	30VA
2000A	10VA	10VA	15VA	30VA
2500A	10VA	15VA	30VA	30VA
3000A	10VA	15VA	30VA	60VA
4000A	15VA	30VA	45VA	60VA
5000A	15VA	30VA	100VA	100VA
6000A	15VA	60VA	100VA	100VA

Primary Current	RISH XMER 225/167 (50)			
	Accuracy			
	0.2S	0.2	0.5	1.0
1000A	-	3.75VA	5VA	10VA
1200A	-	5VA	10VA	15VA
1250A	-	5VA	10VA	15VA
1500A	5VA	10VA	15VA	30VA
1600A	5VA	10VA	15VA	30VA
2000A	7.5VA	10VA	30VA	30VA
2500A	10VA	15VA	30VA	45VA
3000A	10VA	15VA	30VA	45VA
4000A	10VA	15VA	30VA	45VA
5000A	15VA	20VA	30VA	45VA
6000A	15VA	20VA	30VA	45VA
7500A	15VA	20VA	30VA	45VA

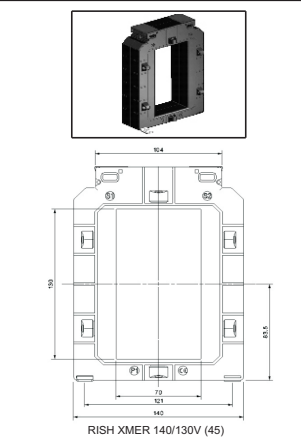
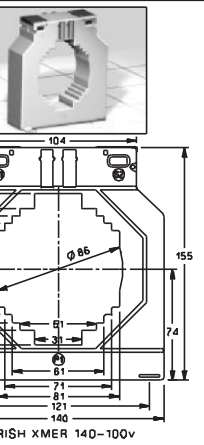
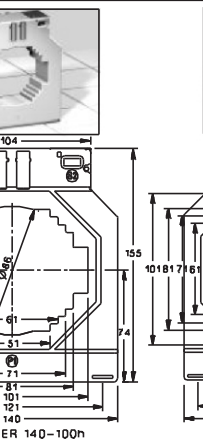
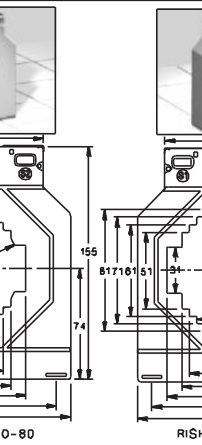
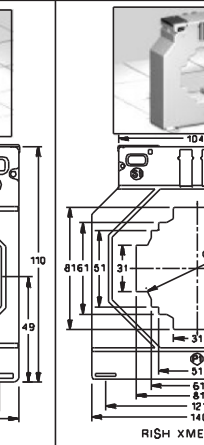
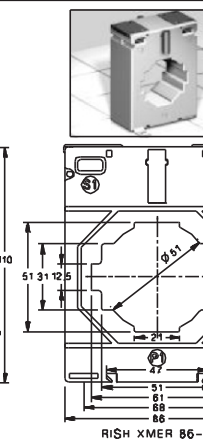
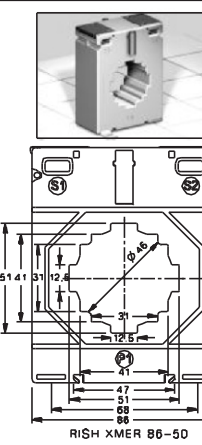
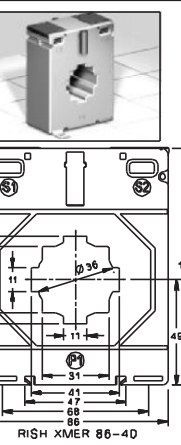
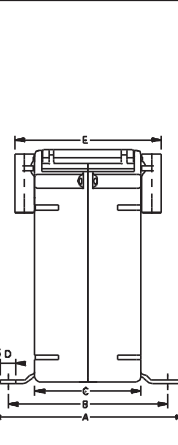
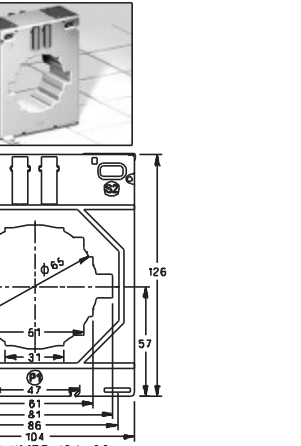
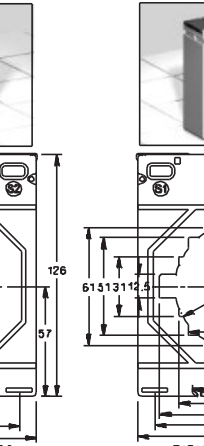
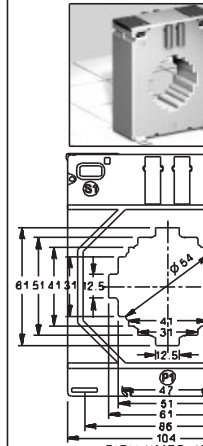
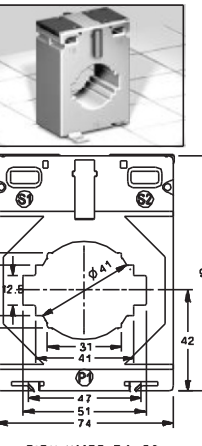
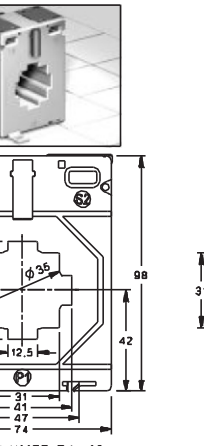
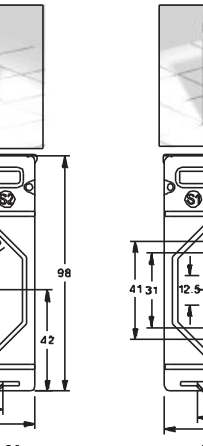
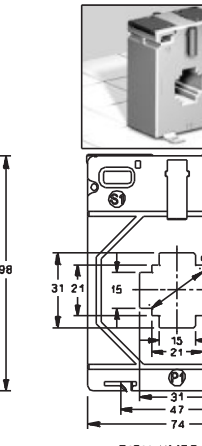
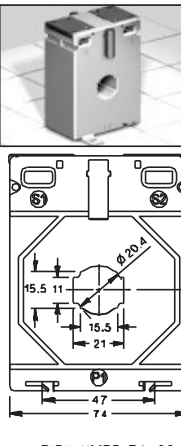
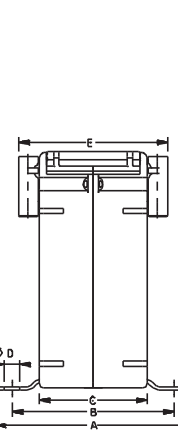


RISH XMER SERIES CURRENT TRANSFORMER RANGES



RISH XMER TYPE	DIMENSIONS				
	A	B	C	D	E
RISH XMER 45-14	77	62	40	6.6	--
RISH XMER 45-21	77	62	40	6.6	--
RISH XMER 62-R	77	62	40	6.6	57
RISH XMER 62-20	77	62	40	6.6	57
RISH XMER 62-30	77	62	40	6.6	57
RISH XMER 62-40	77	62	40	6.6	57
RISH XMER 62-50	86	71	51	6.6	68
RISH XMER 74-20	82	67	45	6.6	62
RISH XMER 74-30	82	67	45	6.6	62
RISH XMER 74-40	82	67	45	6.6	62
RISH XMER 74-50	82	67	45	6.6	62
RISH XMER 86-40	82	67	45	6.6	62
RISH XMER 86-50	82	67	45	6.6	62
RISH XMER 86-60	82	67	45	6.6	62
RISH XMER 104-80	82	67	45	6.6	62
RISH XMER 104-80	82	67	45	6.6	62
RISH XMER 140-80	82	67	45	6.6	62
RISH XMER 140-100h	82	67	45	6.6	62
RISH XMER 140-100v	82	67	45	6.6	62
RISH XMER 140/130V (45)	82	67	45	6.6	65

ALL DIMENSIONS ARE IN MM



RISH XMER SERIES CURRENT TRANSFORMER RANGES



Primary Current	RISH XMER 50/14 (30)		RISH XMER 50/21 (30)		RISH XMER 50/30 (30)		RISH XMER 50/14 (50)		RISH XMER 50/21 (50)		RISH XMER 50/30 (50)	
	Accuracy		Accuracy		Accuracy		Accuracy		Accuracy		Accuracy	
	0.5	1.0	0.5	1.0	0.5	1.0	0.5	1.0	0.5	1.0	0.5	1.0
30A	-	-	-	-	-	-	-	1VA	-	-	-	-
40A	-	1VA	-	1VA	-	-	-	1VA	-	-	-	-
50A	-	1.5VA	-	1VA	-	-	1.5VA	1.5VA	1VA	2.5VA	-	1.5VA
60A	-	1.5VA	-	1VA	-	-	1.5VA	1.5VA	1VA	2.5VA	-	1.5VA
75A	-	1.5VA	-	1.5VA	-	1VA	2.5VA	5VA	1.5VA	2.5VA	-	2.5VA
80A	-	1.5VA	1VA	2.5VA	-	1.5VA	2.5VA	5VA	2.5VA	5VA	-	2.5VA
100A	2.5VA	3.75VA	1.5VA	2.5VA	1VA	2.5VA	3.75VA	5VA	2.5VA	5VA	2.5VA	5VA
120A	2.5VA	3.75VA	2.5VA	2.5VA	1VA	2.5VA	3.75VA	5VA	3.75VA	5VA	2.5VA	5VA
125A	2.5VA	3.75VA	2.5VA	3.75VA	1VA	2.5VA	3.75VA	5VA	5VA	5VA	2.5VA	5VA
150A	3.75VA	5VA	2.5VA	5VA	2.5VA	3.75VA	5VA	7.5VA	5VA	10VA	5VA	5VA
200A	3.75VA	5VA	3.75VA	5VA	2.5VA	5VA	7.5VA	10VA	7.5VA	10VA	5VA	7.5VA
250A	5VA	7.5VA	5VA	5VA	5VA	5VA	10VA	12.5VA	7.5VA	10VA	5VA	10VA
300A	7.5VA	7.5VA	5VA	7.5VA	5VA	5VA	10VA	12.5VA	7.5VA	12.5VA	5VA	10VA
400A	-	-	5VA	7.5VA	5VA	6.25VA	-	-	10VA	15VA	10VA	12.5VA
500A	-	-	-	-	5VA	6.25VA	-	-	-	-	10VA	12.5VA
600A	-	-	-	-	5VA	7.5VA	-	-	-	-	10VA	15VA

Primary Current	RISH XMER 225/125 (50)				RISH XMER 225/167 (50)				RISH XMER 100/100V (45)				RISH XMER 100/130V (45)			
	Accuracy				Accuracy				Accuracy				Accuracy			
	0.2S	0.2	0.5	1.0	0.2S	0.2	0.5	1.0	0.2S	0.2	0.5	1.0	0.2	0.5	1.0	
400A	-	-	-	-	-	-	-	-	-	-	2.5VA	5VA	-	2.5VA	5VA	
500A	-	-	-	-	-	-	-	-	-	-	2.5VA	5VA	-	2.5VA	5VA	
600A	-	5VA	5VA	10VA	-	-	-	-	-	-	2.5VA	5VA	-	2.5VA	5VA	
750A	-	5VA	10VA	10VA	-	-	-	-	-	-	2.5VA	5VA	-	2.5VA	5VA	
800A	-	5VA	10VA	10VA	-	-	-	-	-	-	5VA	10VA	-	5VA	10VA	
1000A	5VA	10VA	10VA	15VA	-	3.75VA	5VA	10VA	-	5VA	10VA	15VA	-	10VA	15VA	
1200A	5VA	10VA	10VA	15VA	-	5VA	10VA	15VA	5VA	5VA	10VA	15VA	-	10VA	15VA	
1250A	5VA	10VA	10VA	15VA	-	5VA	10VA	15VA	5VA	5VA	10VA	15VA	-	10VA	15VA	
1500A	7.5VA	10VA	15VA	30VA	5VA	10VA	15VA	30VA	5VA	5VA	15VA	30VA	5VA	15VA	30VA	
1600A	7.5VA	10VA	15VA	30VA	5VA	10VA	15VA	30VA	7.5VA	10VA	15VA	30VA	5VA	15VA	30VA	
2000A	10VA	10VA	15VA	30VA	7.5VA	10VA	30VA	30VA	7.5VA	10VA	15VA	30VA	5VA	15VA	30VA	
2500A	10VA	15VA	30VA	30VA	10VA	15VA	30VA	45VA	10VA	10VA	15VA	20VA	5VA	15VA	30VA	
3000A	10VA	15VA	30VA	60VA	10VA	15VA	30VA	45VA	-	-	-	-	-	-	-	
3200A	-	-	-	-	-	-	-	-	-	-	-	-	5VA	10VA	12.5VA	
4000A	15VA	30VA	45VA	60VA	10VA	15VA	30VA	45VA	-	-	-	-	-	-	-	
5000A	15VA	30VA	100VA	100VA	15VA	20VA	30VA	45VA	-	-	-	-	-	-	-	
6000A	15VA	60VA	100VA	100VA	15VA	20VA	30VA	45VA	-	-	-	-	-	-	-	
7500A	-	-	-	-	15VA	20VA	30VA	45VA	-	-	-	-	-	-	-	