

LOW VOLTAGE CURRENT TRANSFORMER

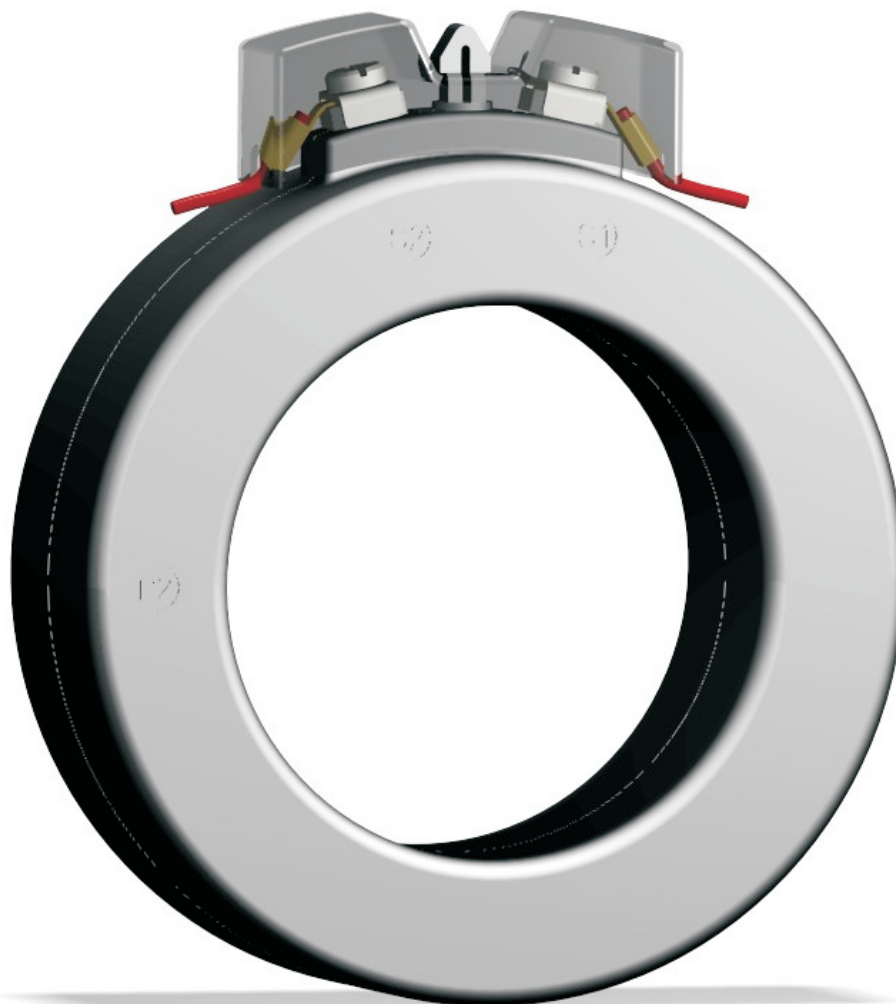
RISHABH TW SERIES



Data Sheet

ROUND CURRENT
TRANSFORMER

TW CT SERIES



Page 1 of 9



Rishabh Instruments

RISHABH
INSTRUMENTS
Measure, Control & Record with a Difference

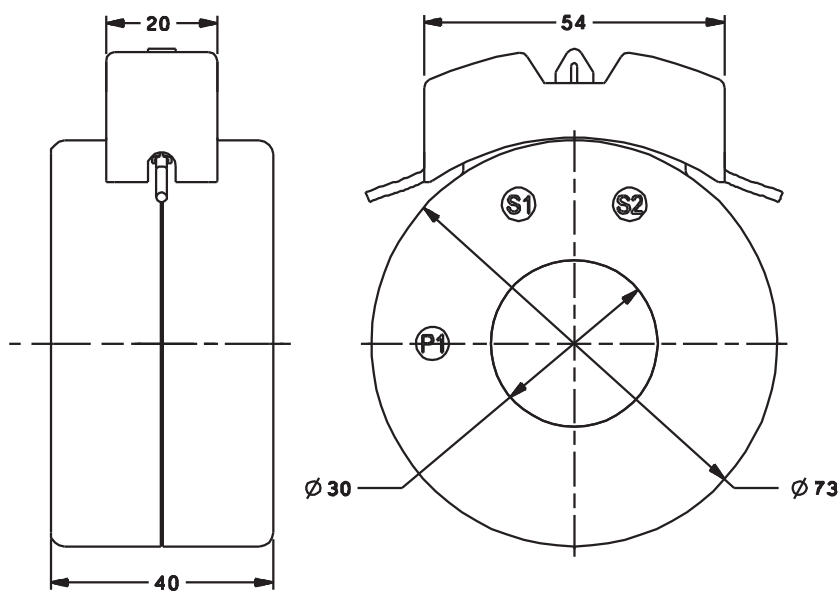
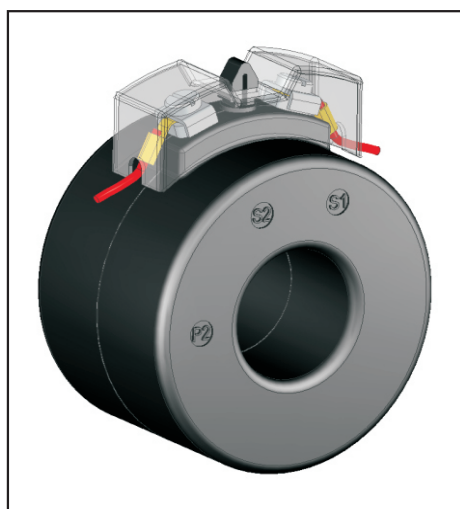
RISHABH INSTRUMENTS PVT.LTD.
F-31, MIDC, Satpur, Nashik-422 007, India.
Tel.: +91 253 2202160, 2202202 Fax : +91 253 2351064
E-mail : India :- marketing@rishabh.co.in
International :- exp.marketing@rishabh.co.in
www.rishabh.co.in

1 / 08 / IV / 0710 / A

LOW VOLTAGE CURRENT TRANSFORMER

RISH CT TW - 1

RISH CT TW - 1



ALL DIMENSIONS ARE IN MM

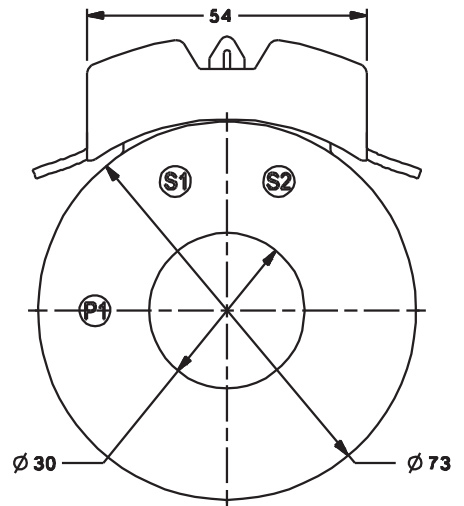
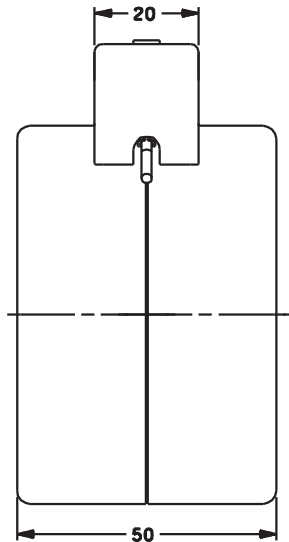
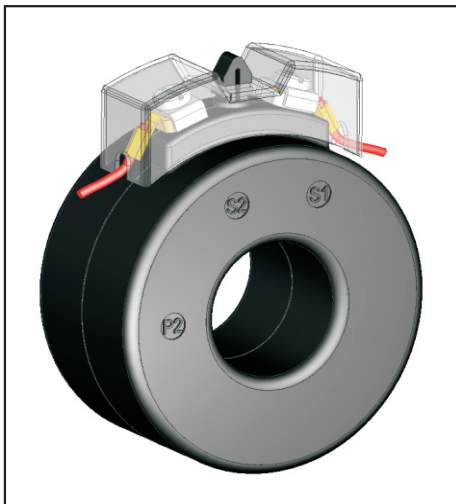
Primary Current	RISH CT TW-1	
	Accuracy	
	0.5	1.0
50A	-	1.5VA
60A	-	1.5VA
75A	-	1.5VA
100A	1.5VA	2.5VA
120A	1.5VA	2.5VA
125A	2.5VA	3.75VA
150A	2.5VA	5VA
200A	5VA	10VA



LOW VOLTAGE CURRENT TRANSFORMER

RISH CT TW - 2

RISH CT TW - 2



ALL DIMENSIONS ARE IN MM

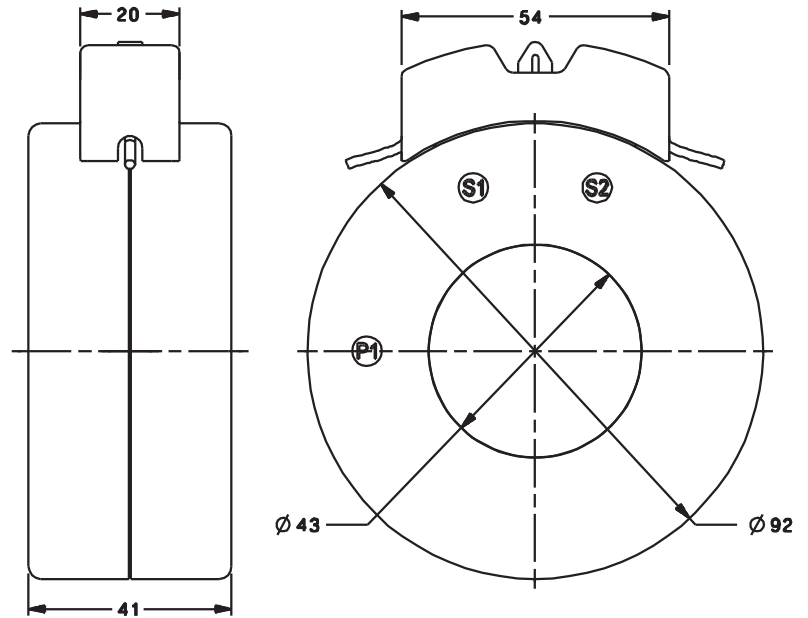
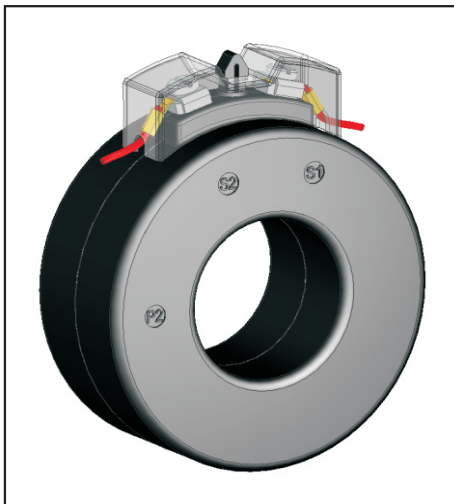
Primary Current	RISH CT TW-2			
	Accuracy			
	0.2	0.5S	0.5	1.0
50A	-	-	-	1.5VA
60A	-	-	-	1.5VA
75A	-	-	1.5VA	2.5VA
100A	-	-	2.5VA	5VA
120A	-	-	2.5VA	5VA
125A	-	-	2.5VA	5VA
150A	-	2.5VA	5VA	10VA
200A	2.5VA	5VA	10VA	15VA



LOW VOLTAGE CURRENT TRANSFORMER

RISH CT TW - 3

RISH CT TW - 3



ALL DIMENSIONS ARE IN MM

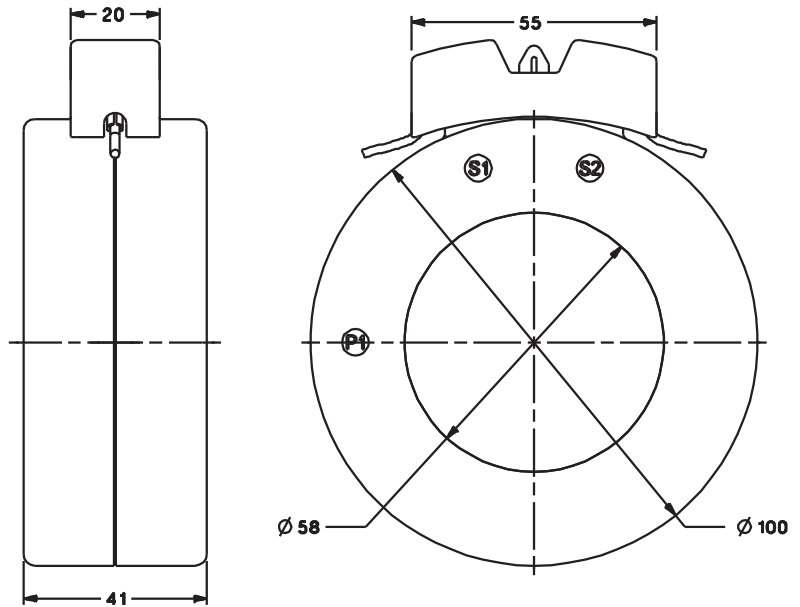
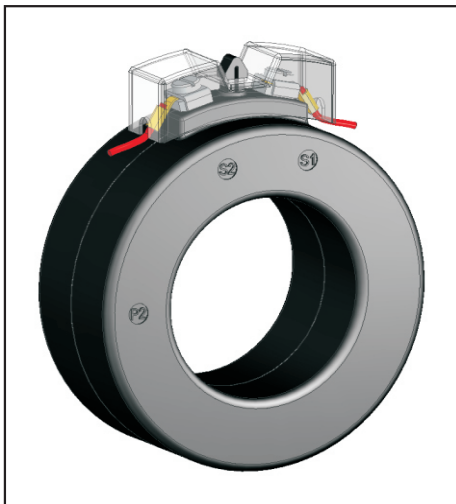
Primary Current	RISH CT TW-3			
	Accuracy			
	0.2	0.5S	0.5	1.0
50A	-	-	-	-
60A	-	-	-	-
75A	-	-	-	1VA
80A	-	-	-	1.5VA
100A	-	-	1VA	2.5VA
120A	-	-	1VA	2.5VA
125A	-	-	1VA	2.5VA
150A	-	-	1.5VA	3.75VA
200A	1.5VA	5VA	5VA	10VA
250A	2.5VA	7.5VA	7.5VA	15VA
300A	3.75VA	10VA	10VA	20VA



LOW VOLTAGE CURRENT TRANSFORMER

RISH CT TW - 4

RISH CT TW - 4



ALL DIMENSIONS ARE IN MM

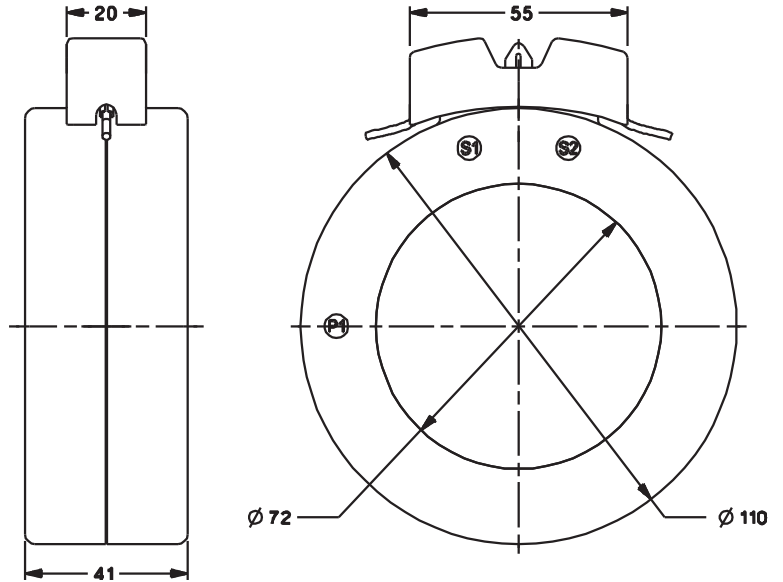
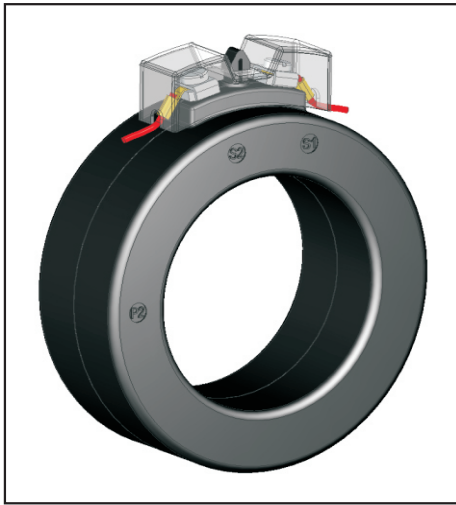
Primary Current	RISH CT TW-4			
	Accuracy			
	0.2	0.5S	0.5	1.0
120A	-	-	-	1VA
125A	-	-	-	1.5VA
150A	-	-	1VA	2.5VA
200A	-	1.5VA	2.5VA	5VA
250A	-	2.5VA	3.75VA	7.5VA
300A	-	3.75VA	5VA	10VA
400A	5VA	7.5VA	10VA	20VA
500A	7.5VA	10VA	15VA	25VA
600A	10VA	15VA	15VA	25VA



LOW VOLTAGE CURRENT TRANSFORMER

RISH CT TW - 5

RISH CT TW - 5



ALL DIMENSIONS ARE IN MM

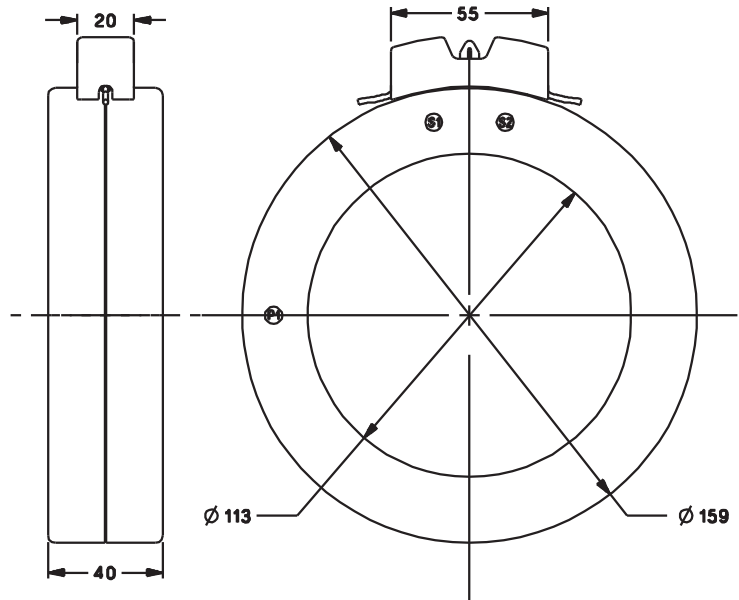
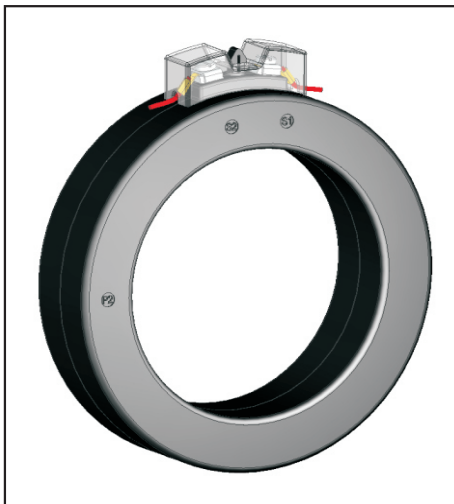
Primary Current	RISH CT TW-5			
	Accuracy			
	0.2	0.5S	0.5	1.0
200A	-	-	-	1.5VA
250A	-	-	1.5VA	2.5VA
300A	-	-	2.5VA	5VA
400A	2.5VA	5VA	7.5VA	12.5VA
500A	3.75VA	7.5VA	10VA	15VA
600A	5VA	7.5VA	10VA	15VA
800A	10VA	15VA	15VA	30VA
1000A	10VA	15VA	15VA	30VA



LOW VOLTAGE CURRENT TRANSFORMER

RISH CT TW - 6

RISH CT TW - 6

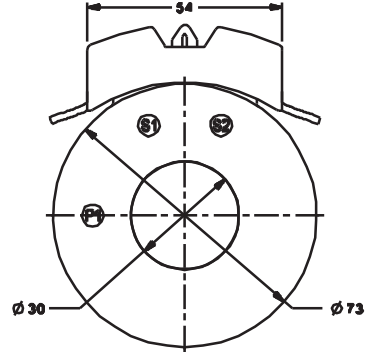
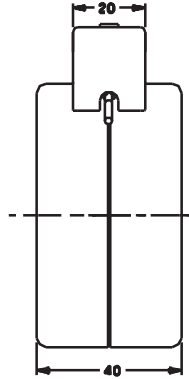
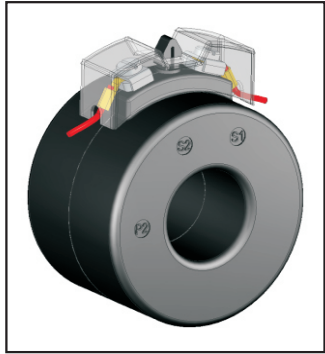


ALL DIMENSIONS ARE IN MM

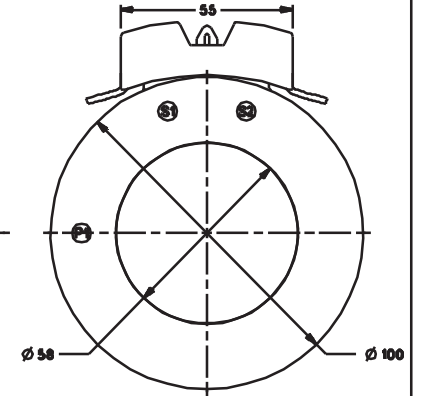
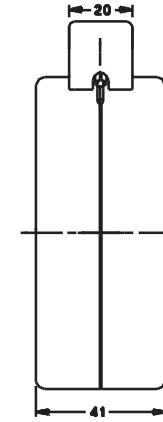
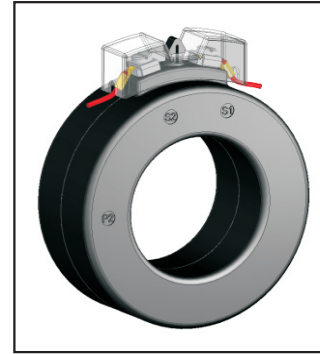
Primary Current	RISH CT TW-6			
	Accuracy			
	0.2	0.5S	0.5	1.0
600A	1.5VA	3.75VA	5VA	10VA
800A	2.5VA	7.5VA	10VA	15VA
1000A	3.75VA	7.5VA	10VA	15VA
1200A	15VA	15VA	20VA	30VA
1250A	15VA	15VA	20VA	30VA
1500A	15VA	15VA	20VA	30VA
1600A	15VA	15VA	20VA	30VA
2000A	15VA	20VA	25VA	45VA
2500A	15VA	20VA	25VA	45VA
3000A	15VA	25VA	30VA	45VA
3200A	15VA	25VA	30VA	45VA



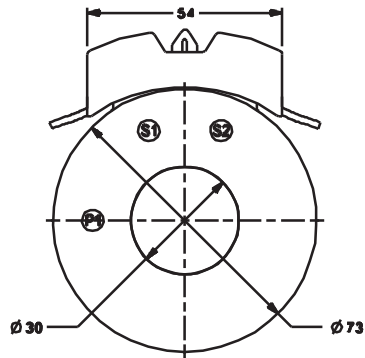
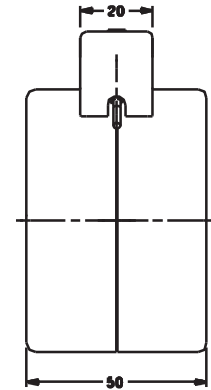
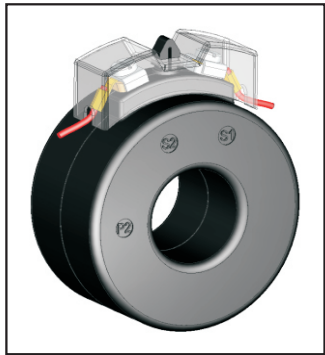
RISH CT TW - 1



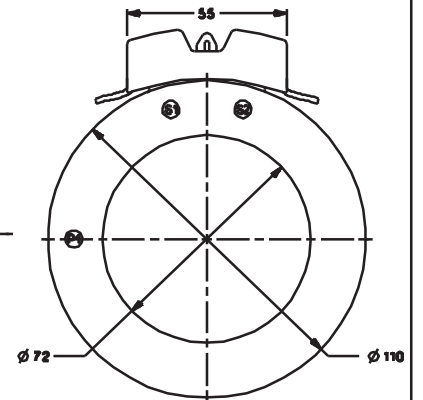
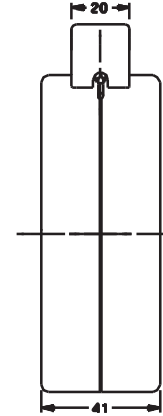
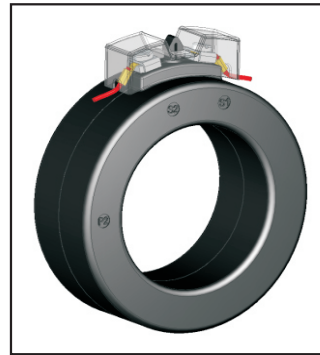
RISH CT TW - 4



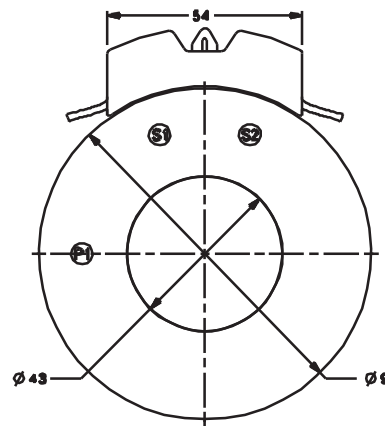
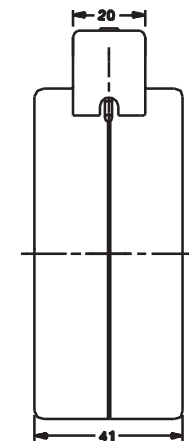
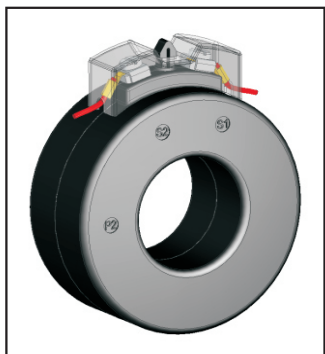
RISH CT TW - 2



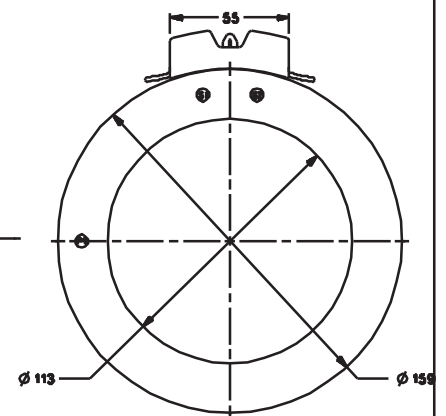
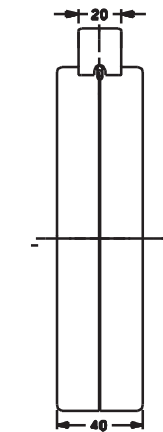
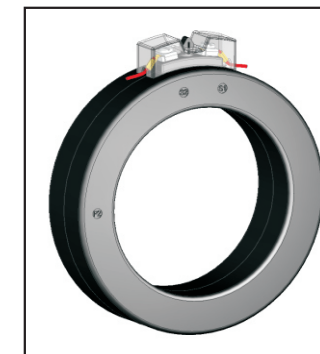
RISH CT TW - 5



RISH CT TW - 3



RISH CT TW - 6



ALL DIMENSIONS ARE IN MM

RISH CT SERIES CURRENT TRANSFORMER RANGES



Primary Current	RISH CT TW-1		RISH CT TW-2				RISH CT TW-3			
	Accuracy		Accuracy				Accuracy			
	0.5	1.0	0.2	0.5S	0.5	1.0	0.2	0.5S	0.5	1.0
50A	-	1.5VA	-	-	-	1.5VA	-	-	-	-
60A	-	1.5VA	-	-	-	1.5VA	-	-	-	-
75A	-	1.5VA	-	-	1.5VA	2.5VA	-	-	-	1VA
80A	-	-	-	-	-	-	-	-	-	1.5VA
100A	1.5VA	2.5VA	-	-	2.5VA	5VA	-	-	1VA	2.5VA
120A	1.5VA	2.5VA	-	-	2.5VA	5VA	-	-	1VA	2.5VA
125A	2.5VA	3.75VA	-	-	2.5VA	5VA	-	-	1VA	2.5VA
150A	2.5VA	5VA	-	2.5VA	5VA	10VA	-	-	1.5VA	3.75VA
200A	5VA	10VA	2.5VA	5VA	10VA	15VA	1.5VA	5VA	5VA	10VA
250A	-	-	-	-	-	-	2.5VA	7.5VA	7.5VA	15VA
300A	-	-	-	-	-	-	3.75VA	10VA	10VA	20VA

Primary Current	RISH CT TW-4				RISH CT TW-5				RISH CT TW-6			
	Accuracy				Accuracy				Accuracy			
	0.2	0.5S	0.5	1.0	0.2	0.5S	0.5	1.0	0.2	0.5S	0.5	1.0
100A	-	-	-	-	-	-	-	-	-	-	-	-
120A	-	-	-	1VA	-	-	-	-	-	-	-	-
125A	-	-	-	1.5VA	-	-	-	-	-	-	-	-
150A	-	-	1VA	2.5VA	-	-	-	-	-	-	-	-
200A	-	1.5VA	2.5VA	5VA	-	-	-	1.5VA	-	-	-	-
250A	-	2.5VA	3.75VA	7.5VA	-	-	1.5VA	2.5VA	-	-	-	-
300A	-	3.75VA	5VA	10VA	-	-	2.5VA	5VA	-	-	-	-
400A	5VA	7.5VA	10VA	20VA	2.5VA	5VA	7.5VA	12.5VA	-	-	-	-
500A	7.5VA	10VA	15VA	25VA	3.75VA	7.5VA	10VA	15VA	-	-	-	-
600A	10VA	15VA	15VA	25VA	5VA	7.5VA	10VA	15VA	1.5VA	3.75VA	5VA	10VA
800A	-	-	-	-	10VA	15VA	15VA	30VA	2.5VA	7.5VA	10VA	15VA
1000A	-	-	-	-	10VA	15VA	15VA	30VA	3.75VA	7.5VA	10VA	15VA
1200A	-	-	-	-	-	-	-	-	15VA	15VA	20VA	30VA
1250A	-	-	-	-	-	-	-	-	15VA	15VA	20VA	30VA
1500A	-	-	-	-	-	-	-	-	15VA	15VA	20VA	30VA
1600A	-	-	-	-	-	-	-	-	15VA	15VA	20VA	30VA
2000A	-	-	-	-	-	-	-	-	15VA	20VA	25VA	45VA
2500A	-	-	-	-	-	-	-	-	15VA	20VA	25VA	45VA
3000A	-	-	-	-	-	-	-	-	15VA	25VA	30VA	45VA
3200A	-	-	-	-	-	-	-	-	15VA	25VA	30VA	45VA