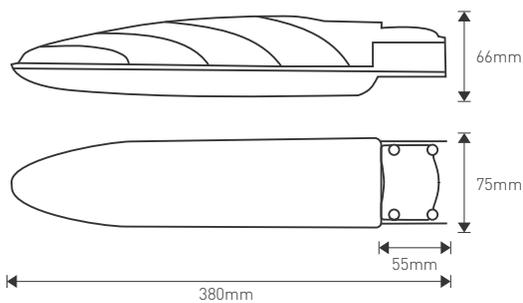


# LED STREET LIGHT



## DESCRIPTION

SYSKA LED sleek aerodynamic shaped street lights adopt high brightness CREE/Bridgelux LED as a light source, with die cast aluminum housing which provide high efficient thermal management and special anti- glare PC lens, no UV, no IR, quick start, wider illumination etc. They are widely used in Colony roads, Service roads, Apartments, Solar lighting, Pathways, Farm houses etc.



Suitable for pipe size (OD): 24~40mm



## FEATURES

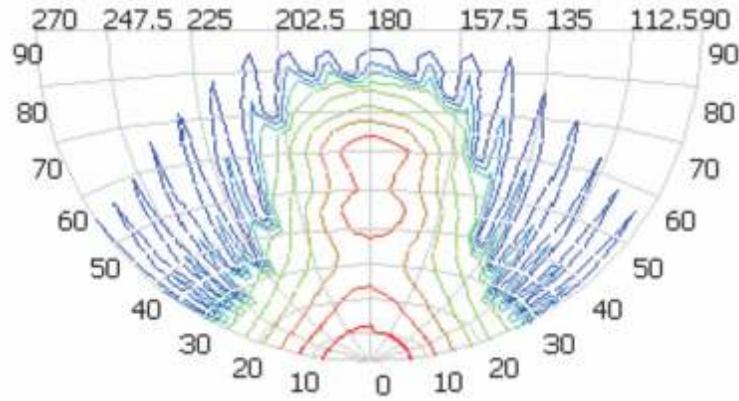
- Light Source: Adopts High Power SMD , which has excellent light intensity, uniform distribution, & high reliability.
- Heat dissipation management: Pressure die cast aluminum housing provides high efficient thermal management, with fins.
- Reflector: Highly efficient anodized aluminum reflector which gives a wide spread angle and optimize reflectivity.
- Driver: Adopts energy efficient driver, high surge protection reach up to 5KV, built-in thermal and electrical protection.
- Environmental friendly: Quick start, no noise, no UV , no IR & no Mercury, etc.
- Special Design PC Lens: It adopts anti-glare PC lens with comfortable light and better intensity of illumination uniformity.

# Technical Parameters



Model No.	SSK-SLA-12W	SSK-SLA-20W	SSK-SLA-24W
Dimensions (mm)	L 380 x W 75 x H 66		
Weight (gm)	1000		
Base	Aluminum Die cast		
Input (V)	AC 90-300V		
Power	12W	20W	24W
Power Factor	0.95		
Efficiency (%)	90%		
Luminous Flux (Lumen)	1260	2100	2520
Illuminance (Lux from 6M)	22.12	38.36	52.23
Luminaire Efficacy (Lm/W)	105		
Color Temperature	3000K~6500K		
CRI	>75		
Beam Angle	120° ~ 130°		
Water Resistance	IP66		
Lifetime (Hours)	> 50,000		
Operating Temp (°C)	-30~50		

# Total Optical Solution Provider



Illuminance at a Distance

	Center Beam LUX	Beam Width	
		V	H
2m	289.25 LUX	3.5m	14.5m
4m	79.15 LUX	7.0m	28.9m
6m	22.12 LUX	10.5m	43.4m
8m	17.21 LUX	14.0m	57.8m
10m	9.28 LUX	17.5m	72.3m
12m	7.56 LUX	21.0m	86.7m

Vert Spread: 82.3

Horiz Spread: 149.1

12W

Illuminance at a Distance

	Center Beam LUX	Beam Width	
		V	H
2m	343.22 LUX	3.5m	14.5m
4m	86.31 LUX	7.0m	28.9m
6m	38.36 LUX	10.5m	43.4m
8m	21.58 LUX	14.0m	57.8m
10m	13.81 LUX	17.5m	72.3m
12m	9.59 LUX	21.0m	86.7m

Vert Spread: 82.3

Horiz Spread: 149.1

20W

Illuminance at a Distance

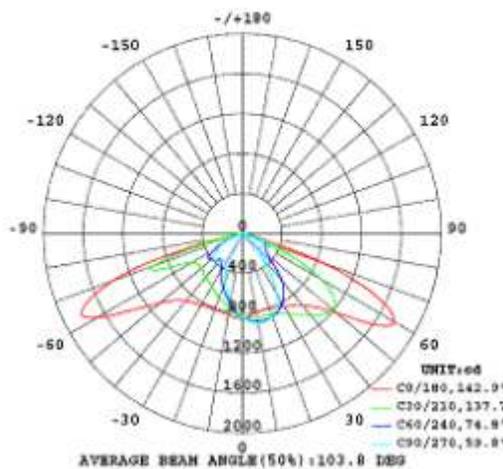
	Center Beam LUX	Beam Width	
		V	H
2m	470.03 LUX	5.7m	9.9m
4m	117.51 LUX	11.4m	1.7m
6m	52.23 LUX	17.1m	2.6m
8m	29.38 LUX	22.8m	3.5m
10m	18.80 LUX	28.4m	4.4m
12m	13.04 LUX	34.1m	5.2m

Vert Spread: 109.8

Horiz Spread: 24.7

24W

INTENSITY DISTRIBUTION DIAGRAM IN C PLANS



ISO Candela (type C)



Basic Illumination Requirement	Area	LUX	
		Horizontal	Vertical
More Road Traffic	Residential	5	1
	Commercial	20	4
Less Road Traffic	Residential	3	1
	Commercial	10	2

**SYSKA LED LIGHTS PVT. LTD.**

SYSKA House, Office No. S-2, 2nd Floor, Sakorenagar, New Airport Road, Near Anand Residency, Pune-411014.  
Tel: 020 40131000 E: [inquiry@syskaled.com](mailto:inquiry@syskaled.com) [www.syskaledlights.com](http://www.syskaledlights.com)