



Features:

- 6 digit for time display, 2 digit for step no.
- 50 ON - OFF Steps per day
- Single output
- Indications
 - Auto manual
 - Holiday
 - Relay status
 - Day of week
 - Programming mode
- DIN RAIL / Back Panel Mount

Size: DIN 35mm

Technical Specifications

Front Description

Display	Text LCD (Without Backlight)
Digits	6 digit for time display 2 digit for step no.
Character Height	5.07 mm (HH:MM) and 3.39 mm (SS)
Indication (Through symbol)	Auto manual, Holiday, Relay status, Day of week, Programming mode

Output Specifications

No. of Output	1
Type of Contact	1 C/O SPDT
Contact Rating (Resistive load)	16A@250V AC

Functional Specifications

Operation Period	1 week
Weekly Program	Total 50 ON Steps and 50 OFF Steps 2 Programs x 25 steps 3 Programs x 16 steps 4 Programs x 12 steps 5 Programs x 10 steps 6 Programs x 08 steps 7 Programs x 07 steps 8 Programs x 06 steps
Minimum setting unit	1 second
Holiday Settings	16 dates
Clock	12-hr (AM / PM) and 24-hr selection
Relay Operating Mode	Auto / Temporary Override / Permanent Override ON / Permanent Override OFF
RTC accuracy	15 mins a year @ 25°C

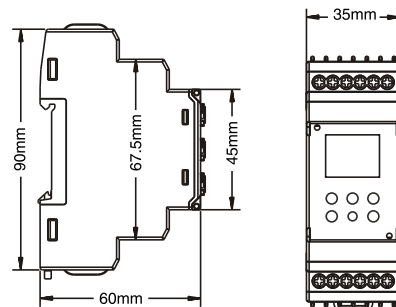
Supply Voltage

Supply Voltage	230V AC \pm 10% (AC : 50 / 60 Hz)
Power Consumption	Approx. 9 Watts at 252 VAC

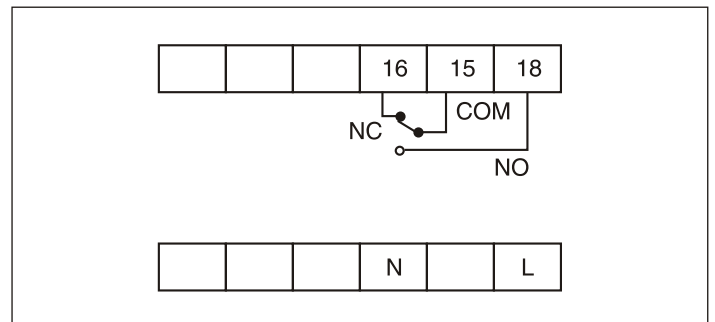
Environmental Specifications

Temperature	Operating: 0 to 50° C Storage: -20 to 70°C
Humidity (non-condensing)	Upto 95% RH

Dimensions



Terminal Connections



Ordering Information

Part No.	Supply Voltage
TS2M1-1-16A-230V	230V AC