



Features:

- 1Ø - 2 Wire Input
- Pump Protection from dry run and overflow condition.
- Specially Designed Sensors.
- LED Indication : Power ON, Relay ON
- Trip Relay Indication.
- Used for Drain and fill control
- 10A SPDT output (Resistive)
- Adjustable Sensitivity 1K to 200 K Ohms

Size: 35mm (Width)

Technical Specifications

Display

Type	Analog
No of LEDs	2
LED Indication	Power ON, Relay ON

Input Specifications

Functions	
Function	Level Monitoring of Conductive Liquid. One Level or Two level monitoring. One tank or Two Tank Level monitoring. Using Suction Logic & Delivery Logic. Automatic
Reset	Automatic
Input Sensor	3 no. Stainless steel prods.
Electrical Connection	1Ø-2 wire
Auxiliary Supply	
Supply Voltage	85-270V AC/DC
Frequency	50 - 60Hz
VA Rating	3VA max.
Trip Settings	
According to the levels of sensor placed in the water tank	
Trip Time Settings	0.5 sec (approx.)

Output Specifications

Output Contact	SPDT (1C/0)
Output Rating	10A@250VAC/28VDC

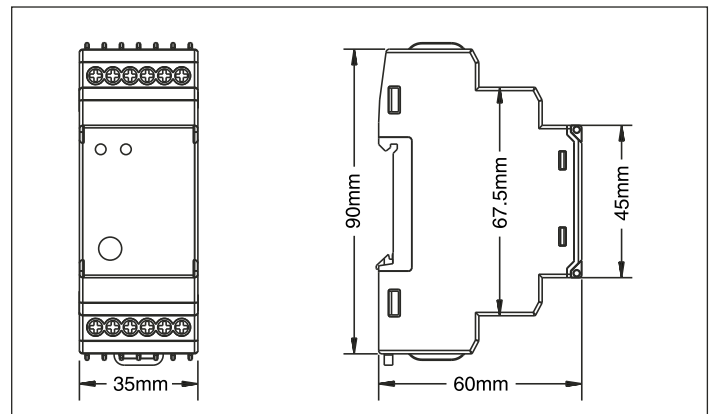
Environmental Specifications

Indoor use Altitude of upto 2000 meters	
Temperature	Operating Temperature: 0°C to 50°C Storage Temperature : -20°C to 70°C
Humidity (non-condensing)	Upto 95% RH
Pollution Degree	2

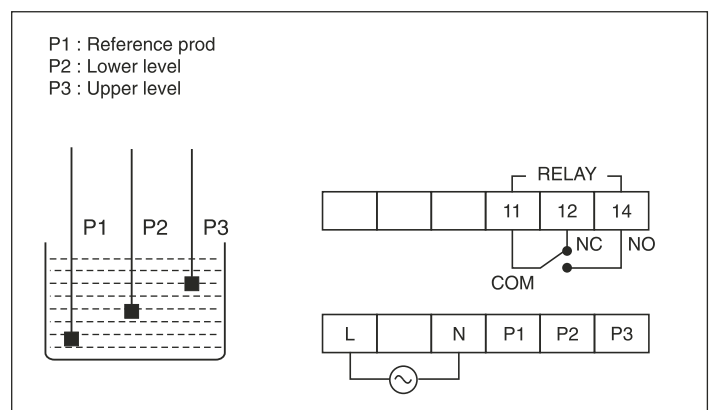
Mechanical Specifications

Size	35x90x60 mm
Mounting	35mm DIN Rail mount
Screw Tightening Torque	0.5 N-M
Weight	Sensors 50gms each Unit 105 gms.

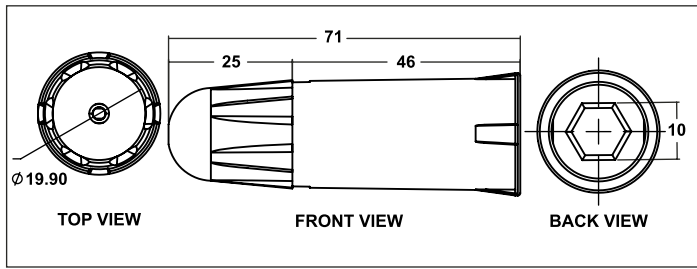
Dimensions



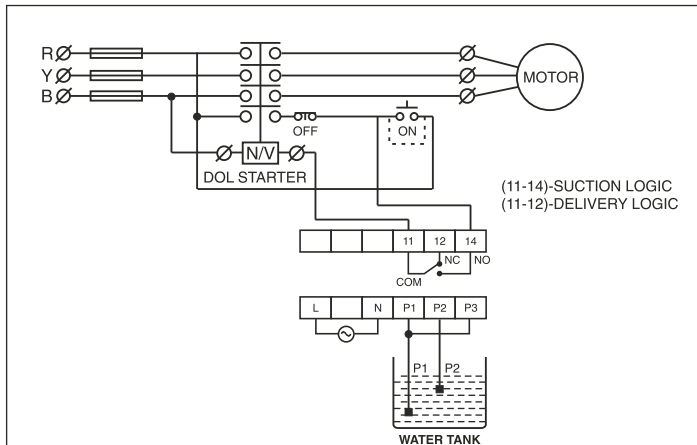
Terminal connection



Input Sensor Dimensions



One level controller

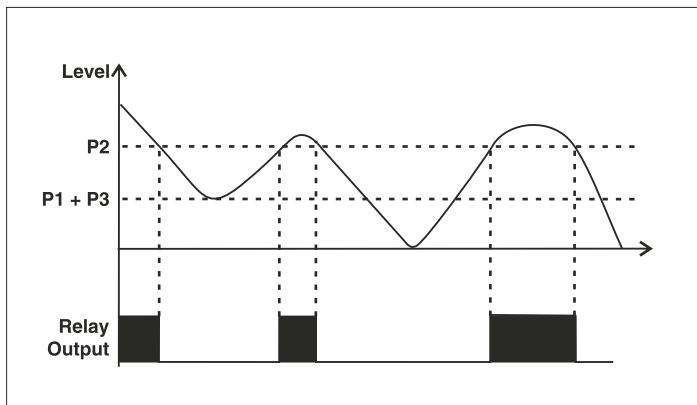


- Note:
- Relay contacts shown in healthy condition
 - The connection shown in fig 1 for suction logic.
 - Provide an external link across ON push button as shown by dotted line

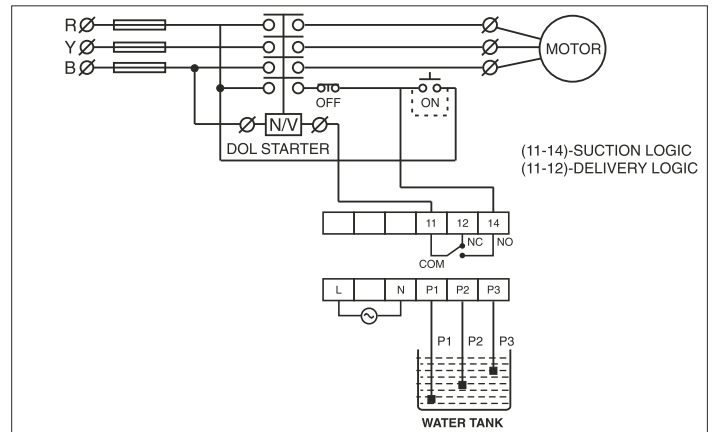
TESTING CHART

Sr No.	P1+P3	P2	Relay Output
1	OUT	OUT	OFF
2	IN	OUT	OFF
3	IN	IN	ON
4	IN	OUT	OFF
5	OUT	OUT	OFF

Timing Diagram



Two level controller

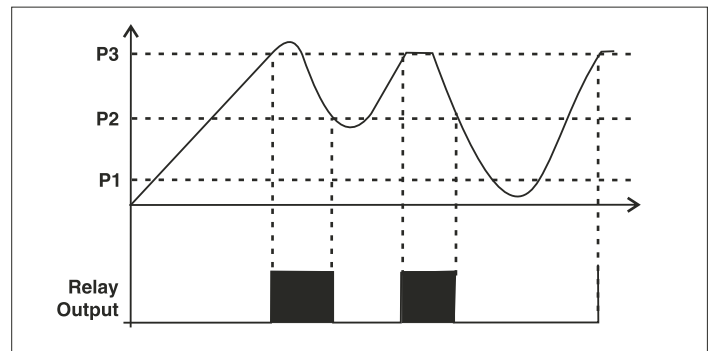


- Note:
- Relay contacts shown in healthy condition
 - The connection shown in fig 1 for suction logic.
 - Provide an external link across ON push button as shown by dotted line

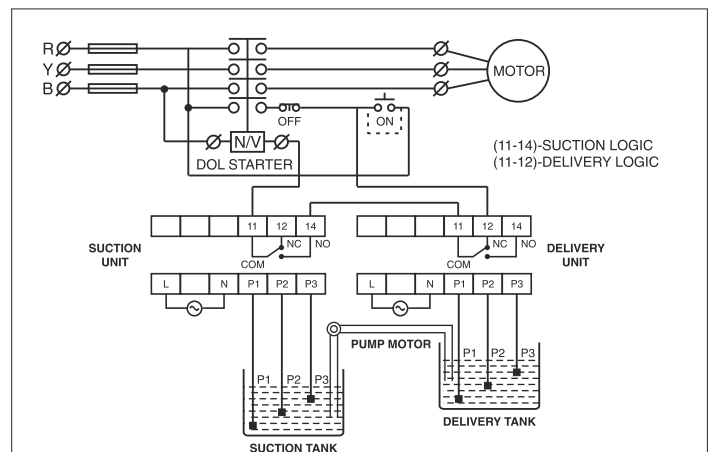
TESTING CHART

Sr No.	P1	P2	P3	Relay Output
1	OUT	OUT	OUT	OFF
2	IN	OUT	OUT	OFF
3	IN	IN	OUT	OFF
4	IN	IN	IN	ON
5	IN	IN	OUT	ON
6	IN	OUT	OUT	OFF

Timing Diagram



Two level controller for both tank




- NOTE:
- Relay contacts shown in healthy condition.
 - Provide an external link across ON push button as shown by dotted line.

TESTING CHART

Sr. No.	SENSOR PROD IN SUCTION TANK (T1)			SENSOR PROD IN DELIVERY TANK (T2)			RELAY OUTPUT STATUS WLCA2M1
	P1	P2	P3	P1	P2	P3	
1	IN	IN	IN	IN	IN	IN	OFF
2	IN	IN	IN	IN	IN	OUT	OFF
3	IN	IN	IN	IN	OUT	OUT	ON
4	IN	IN	OUT	IN	IN	IN	OFF
5	IN	IN	OUT	IN	IN	OUT	OFF
6	IN	IN	OUT	IN	OUT	OUT	ON
7	IN	OUT	OUT	IN	IN	IN	OFF
8	IN	OUT	OUT	IN	IN	OUT	OFF
9	IN	OUT	OUT	IN	OUT	OUT	OFF

NOTE : IN : SENSOR PROD INSIDE THE WATER
 OUT : SENSOR PROD OUTSIDE THE WATER

Ordering Information

Part No.	Supply Voltage	Certification	
		CE RoHS	
WLCA2M1	85-270V AC/DC		