

PRELIMINARY DATASHEET



Features:

- 6 Digit Counter, 4 Digit RPM Indicator
- LED Status Indicator: Relay 1, Relay 2, Rate, Batch
- 2 Setpoints
- Programmable Input Scaling
- User configurable Relay 2 operation mode
- User configurable Rate/Batch
- Unidirectional, Bi-directional & Quadrature with up/down selection
- RS-485 communication with MODBUS RTU Protocol (for XC2200-C, XC3200-C)

Size: XC2200 / XC2200-C : 72mm X 72mm
 XC3200 / XC3200-C : 96mm X 96mm

Technical Specifications

Input Specifications

Sensor Type	NPN / PNP
Input Type	Voltage pulse (5 to 30V DC) from Proximity switches, Encoders, Solid state devices, Potential free contact
Input Speed	a) 0 to 30Hz b) 0 to 5kHz
Accuracy	Rate: 0.05% ± 2 counts
Scale Factor	0.00001 to 9.99999 x 10 ⁿ n= -5, -4, -3, -2, -1, 0, 1, 2
Reset	Front (user selectable), Remote

Output Specifications

Sensor Supply	Inbuilt, 12V DC, 30mA (short circuit protected)
Output Contact	DPDT (2 C/O)
Contact Rating	5A @ 230V AC / 24V DC

Functional Specifications

Modes	ON delay / Interval delay / Auto reset / Time pulse repeat
Range	Count: Selectable least count 0.0001, 0.001, 0.01, 0.1 & 1 Rate: Auto ranging 4.00 to 99999 RPS, RPM or RPH mode
Counting Mode	Unidirectional, Bidirectional, Quadrature
Counting Direction	Up/Down
Memory Retention	Yes

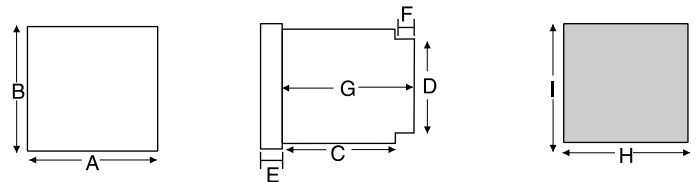
Supply Voltage

Supply Voltage	90 to 270V AC/DC (AC: 50 / 60Hz)
Power Consumption	6VA max

Environmental Specifications

Temperature	Operating: 0 to 50°C (32 to 122°F) Storage: -20 to 75°C (-4 to 167°F)
Humidity (non-condensing)	95% RH
Weight	228.53 gms (XC2200 / XC2200-C) 263 gms (XC3200 / XC3200-C)
Protection Level	IP65 for faceplate XC3200-C, XC3200

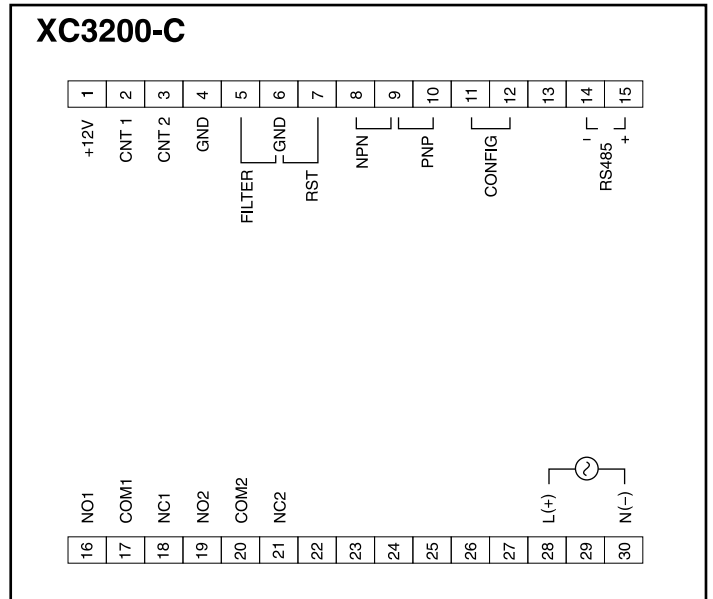
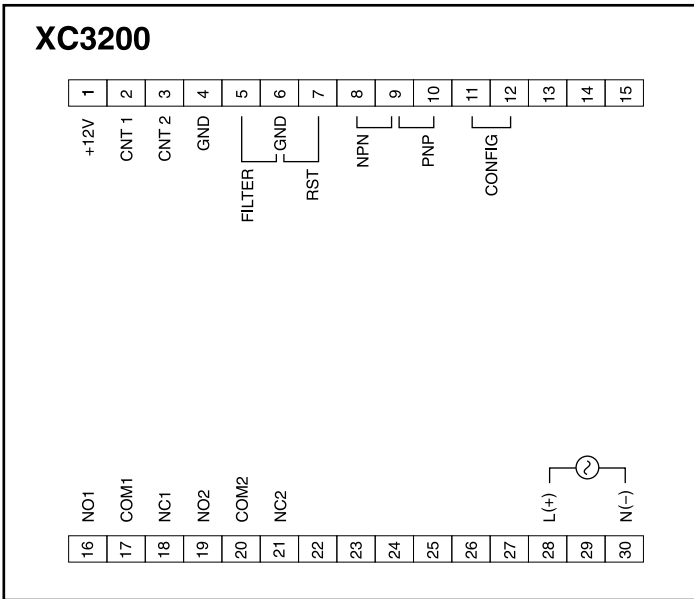
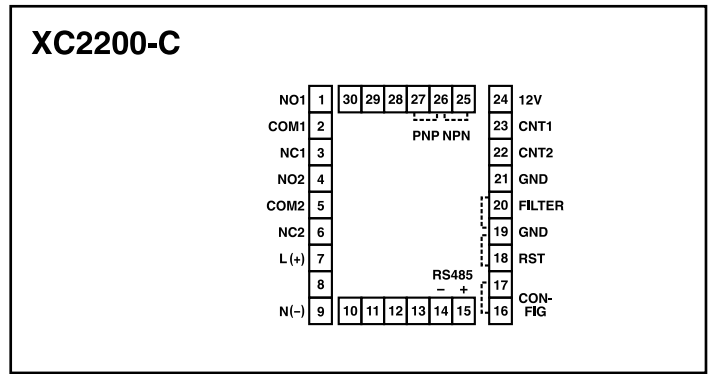
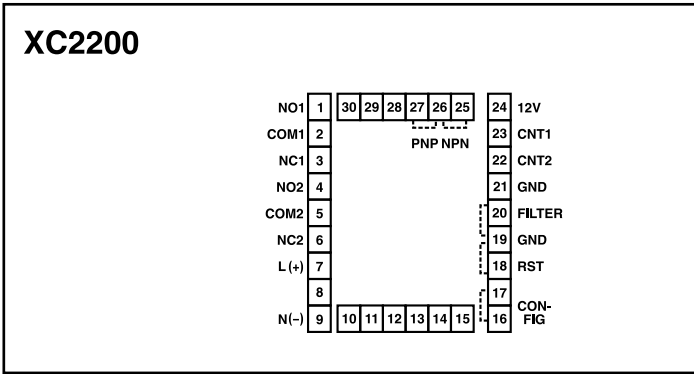
Dimensions



MODELS	A	B	C	D	E	F	G	H	I
XC2200/XC2200-C	72	72	74	61	5.5	3	91	67	67
XC3200/XC3200-C	96	96	45.5	90.5	3	13	55	90.5	90.5

All dimensions are in mm

Terminal Connections



Ordering Information

Part No.	Supply Voltage	Rs-485communication
XC2200	90 to 270 V AC/DC	
XC2200-C	90 to 270 V AC/DC	■
XC3200	90 to 270 V AC/DC	
XC3200-C	90 to 270 V AC/DC	■